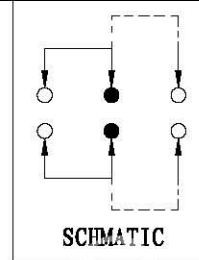
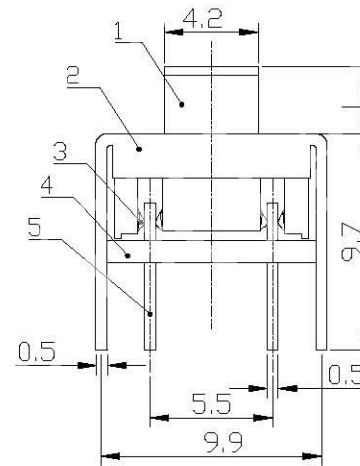
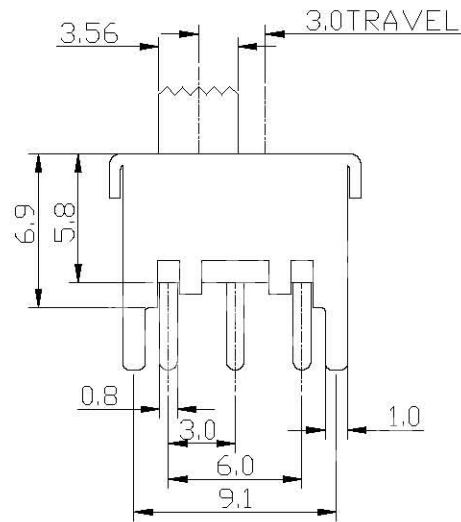


P.C.B LAYOUT



SCHEMATIC



MXA/MXH: L=7-16  
OTHER: L=2-15

OPTIONAL KNOB TYPE

GAA		GDI	
GAB		ATA	
GAC		NTA	
GAD		NTH	
GAE		MXA	
GBR		MXH	
GDB		NYA	
GFM			

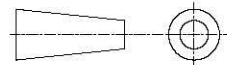


田都电子

DONGGUAN TIANDU ELECTRONIC CO., LTD.

TITLE : SLIDB SWITCH

MODEL : SS22F05 (W009)



UNIT : MM	DWN.	DATE
SCALE : 3 : 1	CHK'D	DATE
VERSION 02	APPD.	DATE

TOLERANCE	ANGLE TOL
<=5.0±0.1mm	±2°
>5.0±0.2mm	
>=10.0±0.3mm	

7	SPRING	STEEL WIRE	1	NATURE
6	STEEL BALL	STEEL	1	NATURE
5	TERMINAL	BRASS STRIP	6	Ag PLATED
4	BOARD	PHENOLIC RESIN	1	NATURE
3	CONTACT CLIP	PBS STRIP	2	Ag PLATED
2	FRAME	IRON STRIP	1	Ni PLATED
1	KNOB	POM	1	BLACK
NO.	PART NAME	MATERIAL	QTY	FINISHING