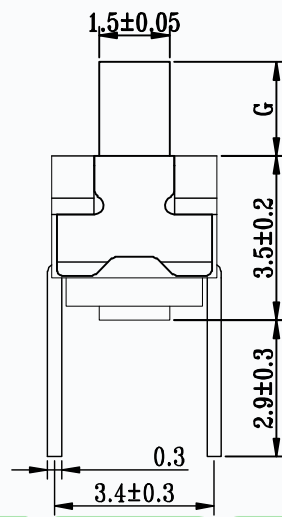
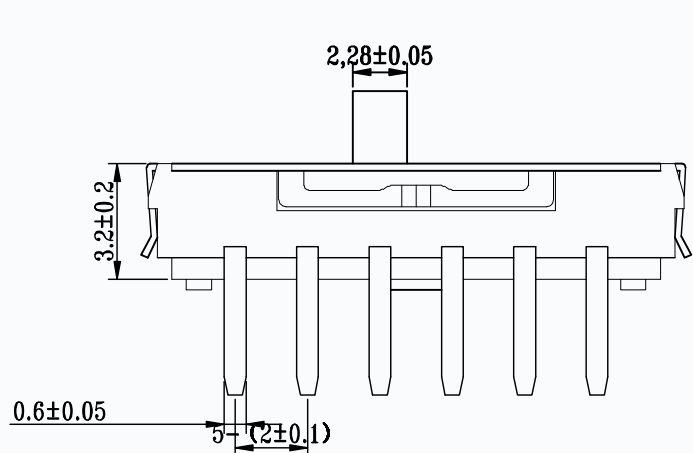
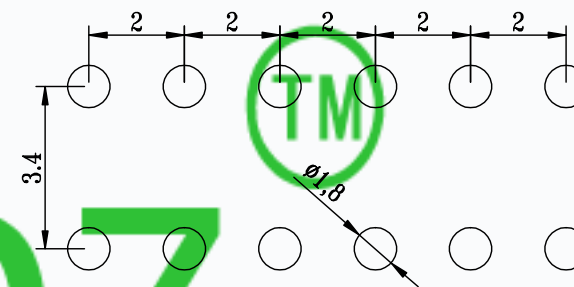


CAD FILE:

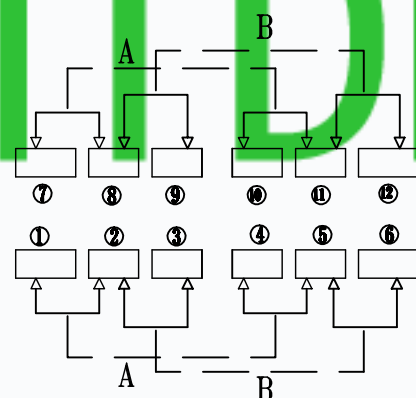
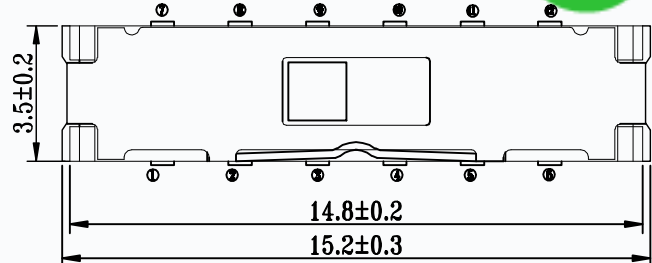


MODEL NO.	KN0B(G)
T1-4215S-G	<2~5>mm



安装图 (PCB LAYOUT PLAN)

CMTDDZ



电路图 (CIRCUIT DIAGRAM)

SPECIFICATIONS	
Rating	0.3A 6V DC
Insulation Resistance	> 100 MΩ
Dielectric Withstanding Voltage	500V 0.5mA/min
Contact Resistance	< 70 mΩ
Operating Force	200gf ± 50gf
Operating Life	10,000 cycles

NO.	PARTS	MATERIALS	Q'TY	FINISH
8				
7				
6				
5	CLIP	BEUC	4	Ag PLATED
4	TERMINAL	PHOSPHOR BRONZE	12	Ag PLATED
3	CASE	PA46	1	BLACK
2	COVER	SUS	1	Nature
1	SLIDER	PA46	1	BLACK

TOLERANCE UNLESS SPECIFIED				
WITHIN 1.5mm : ±0.1mm	OVER 1.5mm : ±0.2mm	A	2014-8-31	TIANDU ELECTRONICS
		ISSUE	DATE	DESCRIPTIONS OF REVISION
TITLE : MINI SLIDE SWITCH			UNIT : mm	DRWG NO.:CMTDDZ-T1-4215S-00
MODEL: T1-4215S-G			SCALE:3:1	DWN, ERIC 2014-8-31
CMTDDZ 东莞市田都电子有限公司				CHK'D MAIKO 2014-8-31
DONGGUAN TIANDU ELECTRONICS CO.,LTD.				APPD Coco 2014-8-29