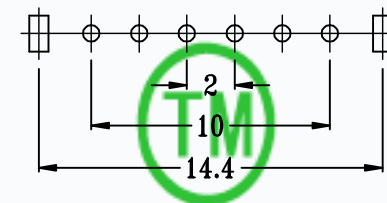
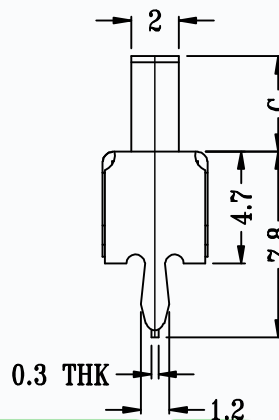
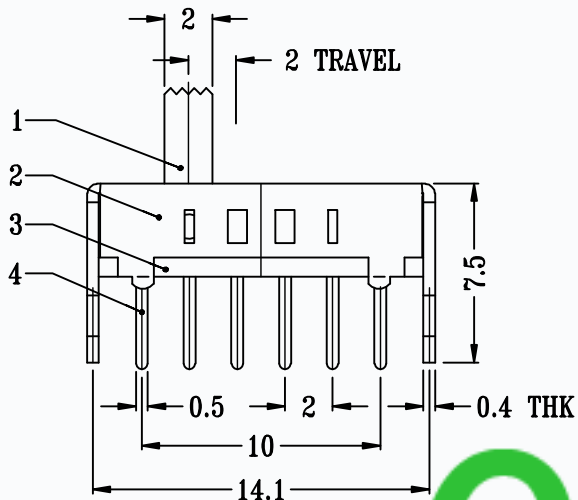




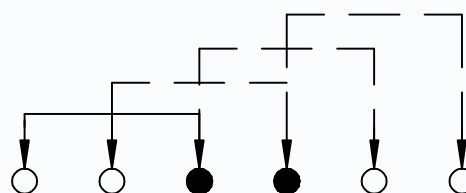
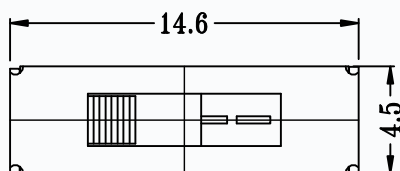
CAD FILE:

MODEL NO.	Knob(G/VG)
T2-132013-G	(2~9)mm



P.C.B LAYOUT  
BOTTOM VIEW

# CMTDDZ



SCHMATIC (SHORTING)

### SPECIFICATIONS

Rating	0.3A 50V DC
CIRCUIT	1P4T
Timing	SHORTING
Travel	2.0mm
Contact Resistance	< 100 mΩ
Operating Force	250gf ± 100gf
Operating Life	10,000 cycles

8				
7				
6	SPRING PLATE	PBS STRIP	1	NATURAL
5	CONTACT CLIP	PBS STRIP	1	Ag PLATED
4	TERMINAL	BRASS STRIP	6	Ag PLATED
3	BASE	PHENOLIC RESIN	1	NATURAL
2	FRAME	STEEL STRIP	1	NI PLATED
1	Knob	POM	1	BLACK
NO.	PARTS	MATERIALS	Q'TY	FINISH

TOLERANCE UNLESS SPECIFIED		THESE DRAWINGS AND SPECIFICATIONS ARE THE PROPERTY OF DONGGUAN TIANDU ELECTRONICS CO.,LTD. AND SHALL NOT BE REPRODUCED, COPIED OR USED IN ANY MANNER WITHOUT THE PRIOR WRITTEN CONSENT OF DONGGUAN TIANDU ELECTRONICS CO., LTD		DESCRIPTIONS OF REVISION		APPD.
WITHIN 1.5mm : ±0.1mm		OVER 1.5mm : ±0.2mm		TITLE : VERTICAL SLIDE SWITCH		UNIT : mm
				DRWG NO.: CMTDDZ-T2-142013-00		
		MODEL: T2-142013-G		SCALE: 3:1	DWN.	ERIC
					CHK'D	MAIKO
					APPD.	Coco
						2013-6-17
						2013-6-17
						2013-6-17

**CMTDDZ** 东莞市田都电子有限公司  
DONGGUAN TIANDU ELECTRONICS CO.,LTD.