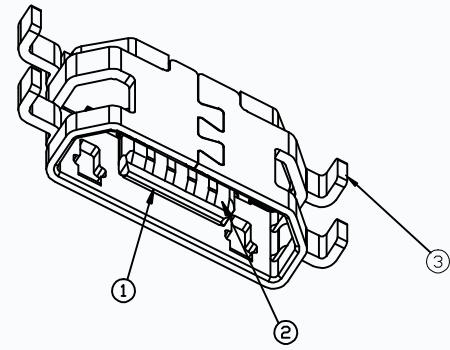
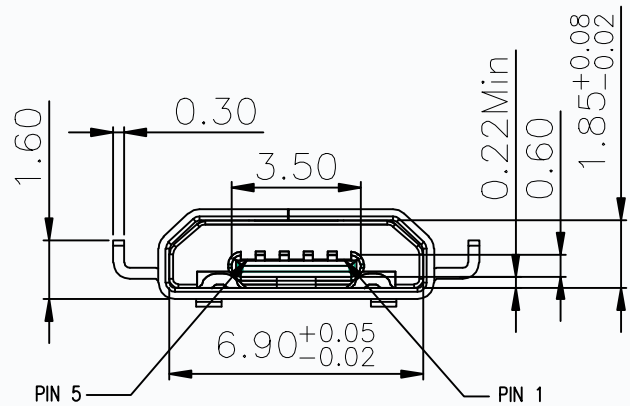
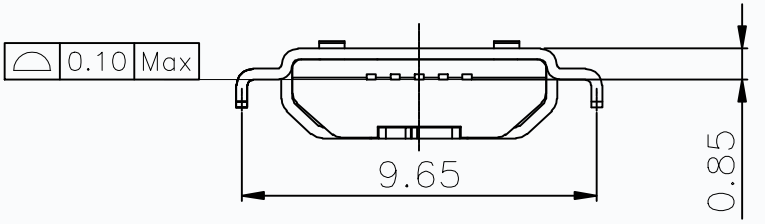
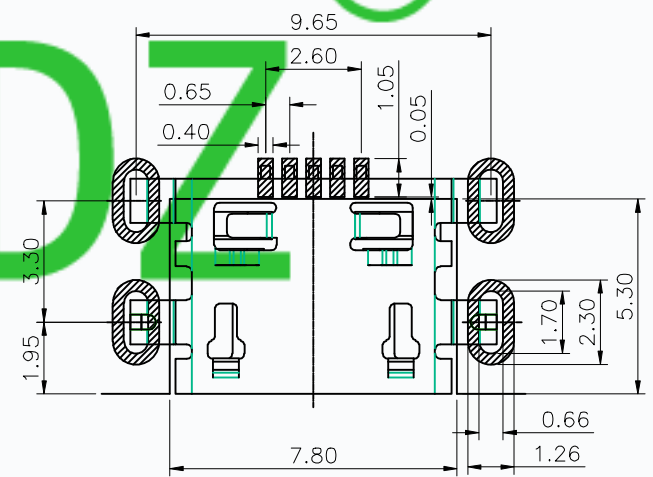
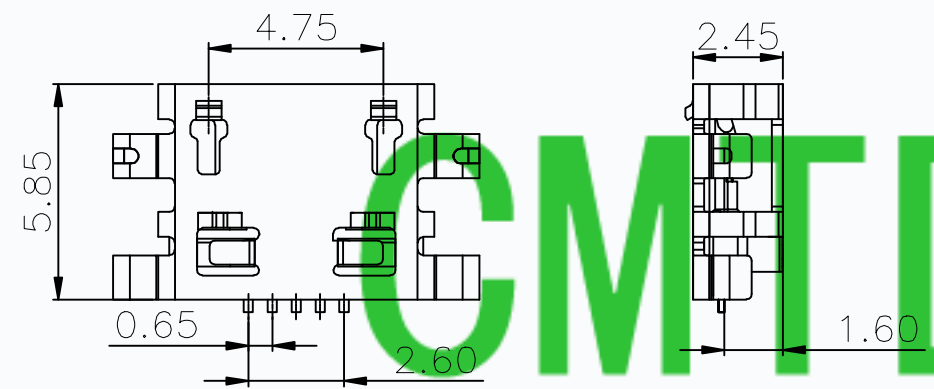


REV.	ECN NO.	DESCRIPTION	DRAW	APPD.	DATE
A	---	DRAWING RELEASE	MC	SU	2013.12.11

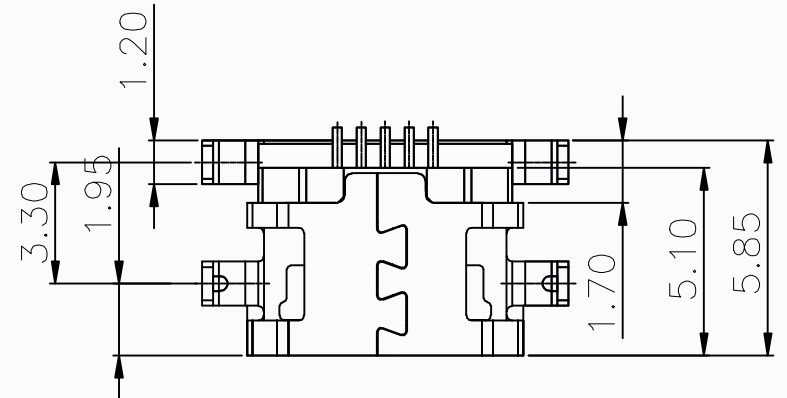


NOTES:

- SPECIFICATION:
 - CURRENT RATING: 1.0A MAX
 - VOLTAGE: 100 VAC
 - TEMPERATURE RANGE: -30 °C ~ 85 °C
 - CONTACT RESISTANCE: 30 MILLIONHM MAX
 - DIELECTRIC WITHSTANDING VOLTAGE: 200 VAC r.m.s
 - INSULATION RESISTNACE: 100 MEGOHMS MIN.



RECOMMENDED PCB LAYOUT(TOP VIEW)
GENERAL TOLERANCES:±0.05



3	SHELL	STAINLESS STEEL T=0.30mm	MATTE TIN/Ni Plated	1PCS
2	CONTACT	COPPER ALLOY T=0.15mm	Au/NI Plated	1SET
1	HOUSING	HIGHT TEMP PLASTIC UL94V-0	BLACK	1PCS
NO.	DESCRIPTION	MATERIAL	REMARKS	QTY
TOLERANCE		NAME(INTENDED USE) CUSTOMER DRAWING		东莞市田都电子有限公司 DONGGUAN TIANDU ELECTRONIC CO.,LED 沉板L6 四脚插板前两脚带孔平口
X.X ±0.30	X.' ± 2'	PART NO.		
.XX ±0.20	.X' ± 1'	T10-05CB17		
.XXX ±0.10	.XX' ±0.5'	APPD:		
UNITS	mm	CHED:		DRAWG NO. 0101-0220
MATERILA		DRAW:		SCALE 1:1 SHEET 1/1 REV. A
FINISH				