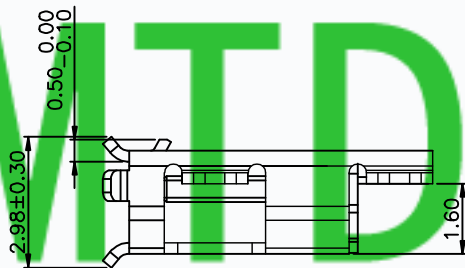
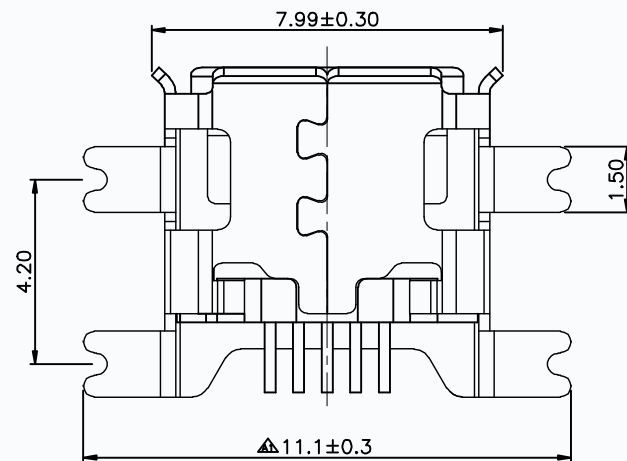
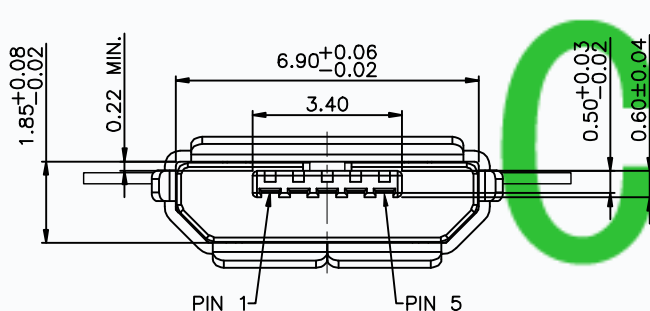
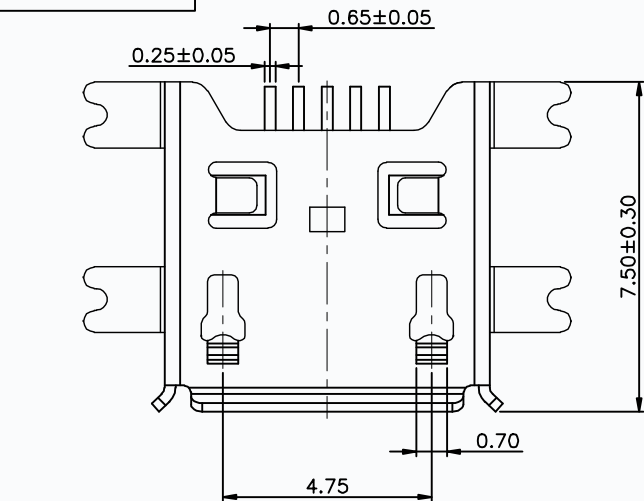


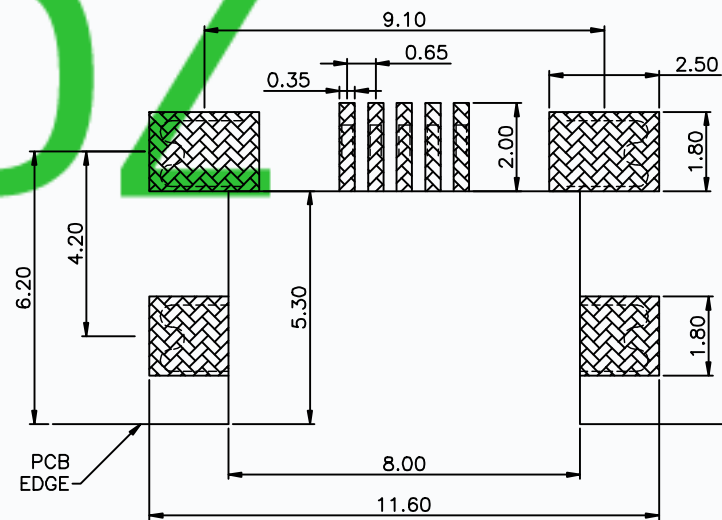
RoHS DIRECTIVE

| REV. | ECN NO. | LOCATIONS | DESCRIPTION | DATE | DESIGN |
|------|-------------|-----------|----------------------------------|----------|--------|
| A0 | | | 新增零件 | 04/09/10 | PJ |
| A1 | ECN10050606 | ▲ | 修正尺寸1L, 1L公差由0.1±0.02调整为0.1±0.03 | 05/06/10 | PJ |



NOTES:

1. MATERIAL:
HOUSING: THERMOPLASTIC HIGH-TEMP UL94V-0 BLACK COLOR.
CONTACT: COPPER ALLOY.
SHELL: COPPER ALLOY.
2. FINISH:
CONTACT: 50u"~80u" Ni/G.F PLATED OVER ALL
SHELL: 50u"~80u" Ni/80u" MIN. MATTE Tin PLATED OVER ALL.
3. APPLIED TO IR SOLDERING PROCESS.
4. SPECIFICATION:
4.1. ELECTRICAL CHARACTERISTICS
CONTACT CURRENT RATING: 1A MIN.
VOLTAGE RATING: 30V AC rms.
CONTACT RESISTANCE: 30mΩ MAX.
DIELECTRIC WITHSTANDING VOLTAGE:
UNMATEP CONTACT 100V AC rms. 60MHZ FOR 1 MINUTE.
INSULATION RESISTANCE: 1000MΩ MIN. 100V DC
TEMPERATURE RANGE: -20°C TO +85°C
4.2. MECHANICAL:
INSERTION FORCE: 35N MAX.
WITHDRAWAL FORCE: 8N MIN.
DURABILITY: 10,000 CYCLES



RECOMMENDED PCB LAYOUT
TOLERANCE: ±0.03mm
RECOMMEND PCB THICKNESS: 1.20mm

THESE DRAWINGS AND SPECIFICATIONS ARE THE PROPERTY OF DONGGUAN TIANDU ELECTRONICS CO.,LTD. AND SHALL NOT BE REPRODUCED, COPIED OR USED IN ANY MANNER WITHOUT THE PRIOR WRITTEN CONSENT OF DONGGUAN TIANDU ELECTRONICS CO., LTD

| DIM | TOL | DIM | TOL |
|-------|-------|--------|-------|
| X. | ±0.35 | X° | ±1° |
| X.X | ±0.25 | X.X° | ±0.5° |
| X.XX | ±0.15 | X.XX° | |
| X.XXX | ±0.10 | X.XXX° | |

| | |
|--------------|----------------------------|
| UNITS mm | NAME (INTENDED USE) USB |
| MAT'L 材质 | MODEL NO. T10-05CB16 |
| FINISH 镀层 | APPD: |
| Q'TY 数量 | CHKD: |
| | DR: MC 11/9'05 |

| | | |
|--|-------------|------------|
| 东莞市田都电子有限公司 DONGGUAN TIANDU ELECTRONICS CO.,LTD | | |
| TITLE: MICRO USB 5P/F B-TYPE 田都规格6全插 | | |
| DWG NO.: CMTD2UB-11-05-016-00 | | |
| SCALE 1/1 | SHEET 页号 | REV. 版本 |