

1

2

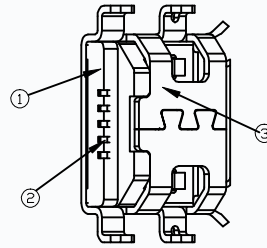
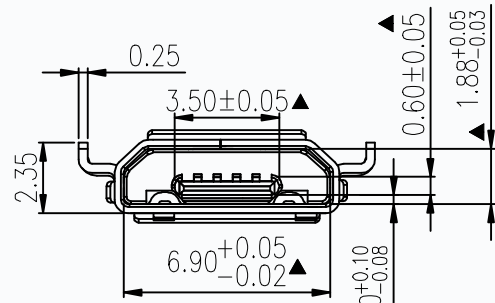
3

4

5

6

REV.	ECN NO.	DESCRIPTION	DRWN	APPD.	DATE



NOTES:

- 成品功能要求不可有端子压伤及塑胶毛边。
- 标有“▲”记号者为重点检验尺寸。
- 未标注尺寸公差为按自由公差为准。
- 成品端子平面度必须100%检测。
- 接触温度1.0Kpa

NOTES:

MATERIAL:

1.1 HOUSING:HIGH TEMPERATURE THERMOPLASTIC WITH G.F.

UL94v-0

1.2 CONTACT:C5195-H T=0.15mm

1.3 SHELL: SUS304-1/4H,T=0.25mm

2.SPECIFICATION:

2.1CURRENT RATING:1 A MAX

2.2 DIELECTRIC WITHSTANDING

VOLTAGE:100 V(ac) FOR 1min

2.3 CONTACT RESISTANCE:30 mΩ MAX.

2.4 INSULATION RESISTANCE:100 MΩ MIN.

2.5 TOTAL MATING FORCE: 3.57 Kgf MAX.

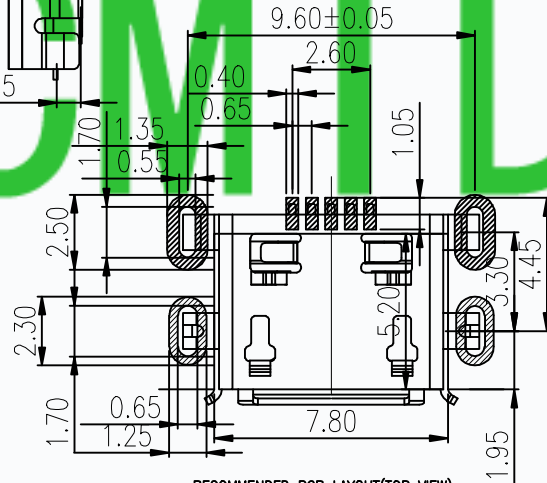
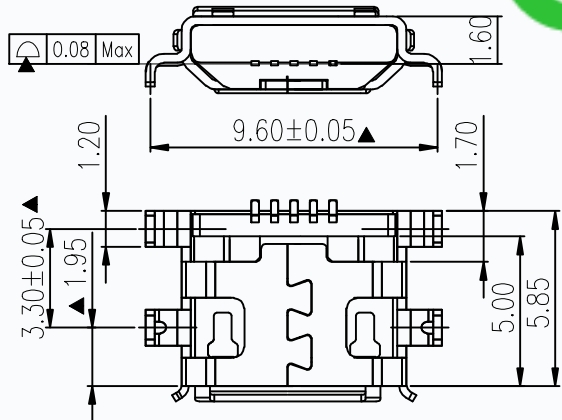
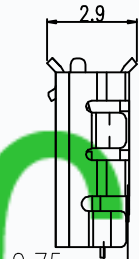
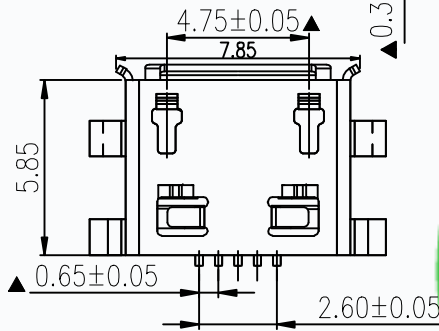
2.6 TOTAL UNMATING FORCE: 1.0Kgf

MIN.0.81~2.05 Kgf

MIN.AFTER 10000 INSERTION/EXTRATION

CYCLES

2.7 TEMPERATURE RANGE:-30°C~+80°C



RECOMMENDED PCB LAYOUT(TOP VIEW)
GENERAL TOLERANCES:±0.05

UNITS mm	SCALE 1:1	REV. X1	SHEET 1 OF 1	东莞市田都电子有限公司 DONGGUAN TIANDU ELECTRONICS CO.,LTD	
		DATE 2011-11-16	TITLE: Micro USB 5P/F B TYPE 0.8mm		
GENERAL TOLERANCE 0. ±0.30 0.0 ±0.20 0.00 ±0.10 0.° ±4° 0.0° ±2°		DR. MC	CHK.	MAT'L SEE NOTES	FINISH SEE NOTES
		APPD.	MODEL NO. T10-05CB05	A	PART NO. CMTD-MC-5P-04-08-01D SIZE A4