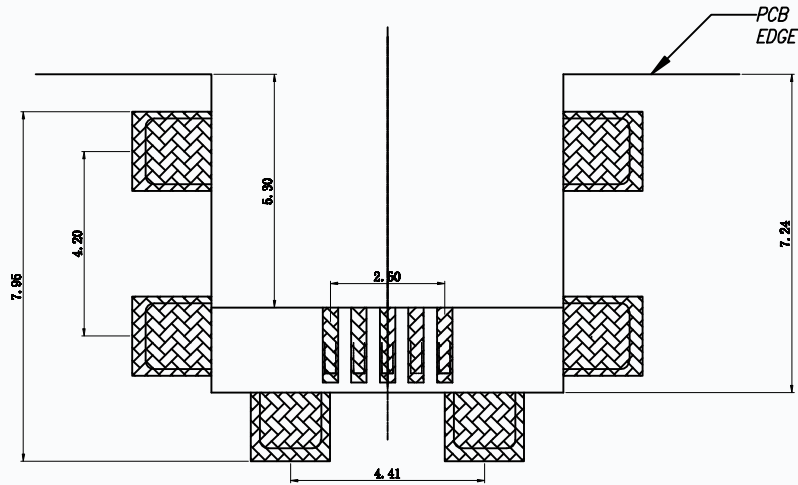
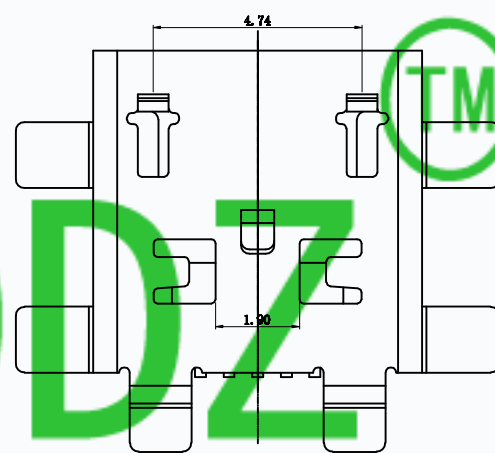
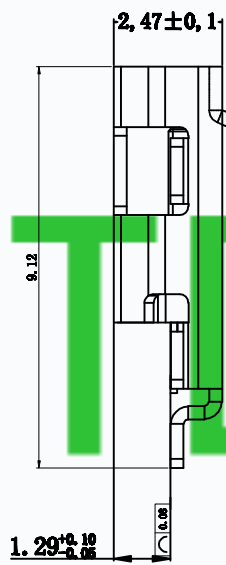
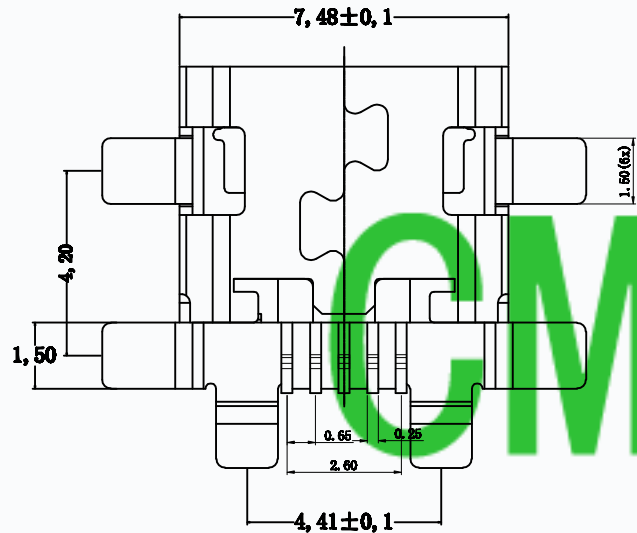
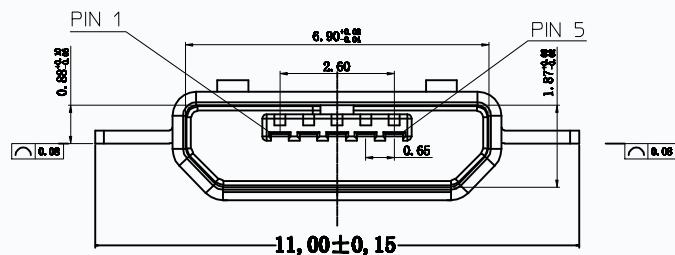


RoHS DIRECTIVE

REV.	ECN. NO.	DESCRIPTION	DATE	DESIGN



RECOMMENDED PCB LAYOUT
TOLERANCE: ±0.03mm

NOTE:
 1. MATERIAL:
 HOUSING: LCP, BLACK, UL94V-0
 TERMINAL: COPPER ALLOY THICKNESS = 0.15 MM
 SHIELD CASE: STAINLESS STEEL THICKNESS = 0.30 MM
 2. PLATING:
 TERMINAL:
 CONTACT AREA: GOLD FLASH OVER MINIMUM 0.75 MICRON Pd/Ni.
 SOLDER TAIL AREA: GOLD FLASH.
 UNDER PLATING: NICKEL 2.0 MICRON MINIMUM.
 SHIELD:
 OPTION 1: MATTE TIN 3.8 MICRON MINIMUM.
 UNDER PLATING: NICKEL 1.27 MICRON MINIMUM.
 OPTION 2: NICKEL 1.25 MICRON MINIMUM.
 3. TAIL & NAIL COPLANARITY 0.08 mm MAXIMUM.
 4. PACKAGING SPECIFICATION: PK-47491-001
 5. PRODUCT SPECIFICATION: PS-47642-001
 6. COMPLIANT TO RoHS DIRECTIVE 2002/95/EC AND ELV DIRECTIVE 2000/53/EC.

THESE DRAWINGS AND SPECIFICATIONS ARE THE PROPERTY OF DONGGUAN TIANDU ELECTRONICS CO., LTD. AND SHALL NOT BE REPRODUCED, COPIED OR USED IN ANY MANNER WITHOUT THE PRIOR WRITTEN CONSENT OF DONGGUAN TIANDU ELECTRONICS CO., LTD.

DIM	TOL	DIM	TOL
X.	±0.35	X°	±1°
X.X	±0.25	X.X°	±0.5°
X.XX	±0.15	X.XX°	
X.XXX	±0.10	X.XXX°	

UNITS	NAME (INTENDED USE)
mm	USB
MAT'L	MODEL NO.
材质	T10-05CB14
FINISH	APPD:
硬度	CHKD:
Q'TY	DR: MC 11/9' 10
数量	

东莞市田都电子有限公司 DONGGUAN TIANDU ELECTRONICS CO., LTD			
TITLE: MICRO USB 5P/F 六牌沉板1.3无卷边(无孔)			
DWG NO.: CMTD-11-05-0130-006-01			
角法	SCALE	SHEET	REV.
PROJ.	5/1	页号	版本