

1

2

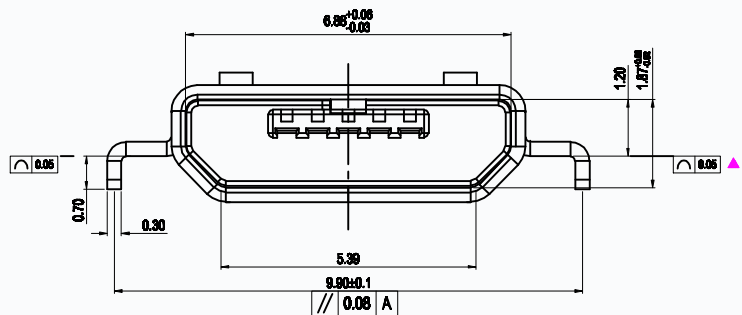
3

4

5

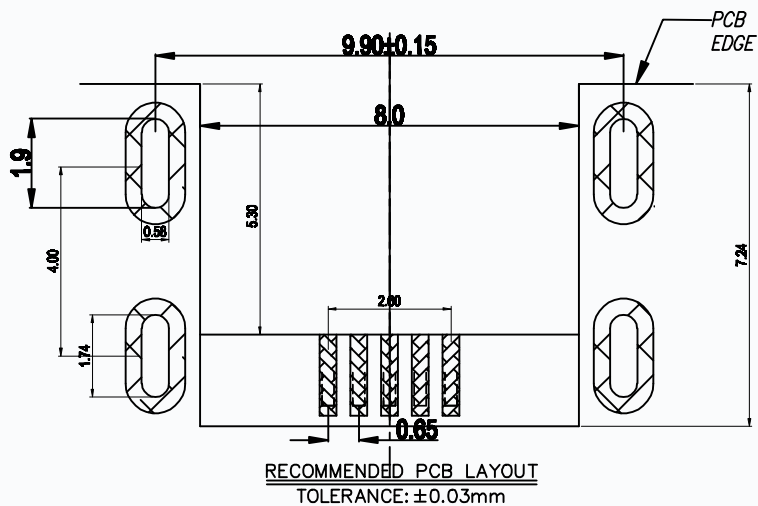
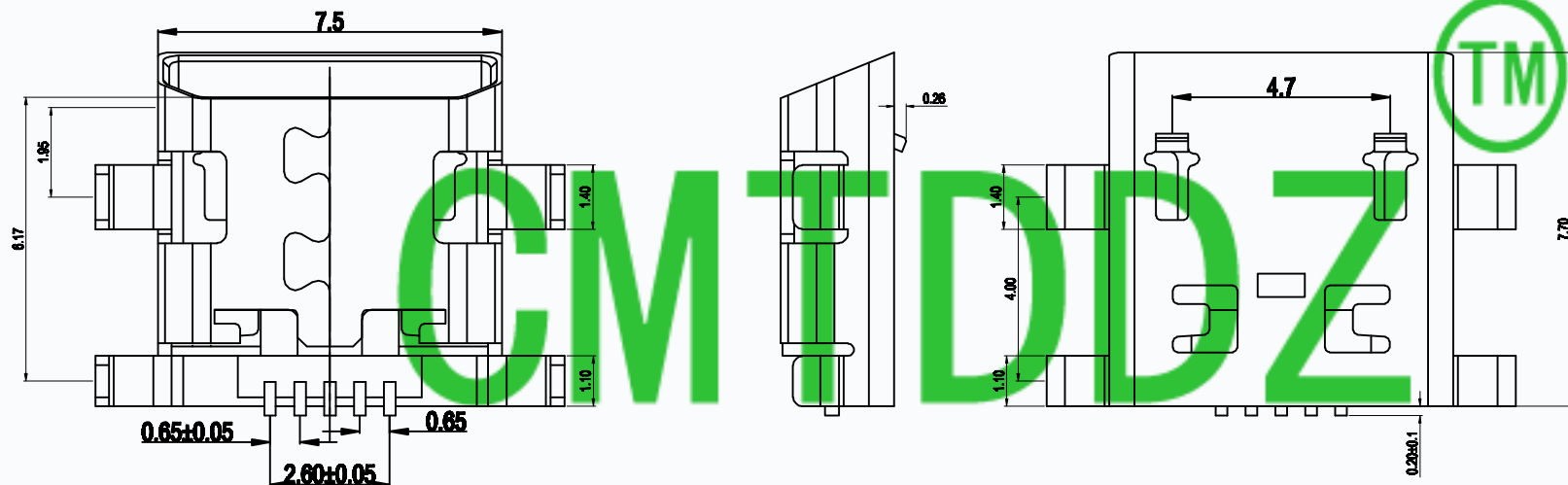
6

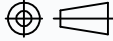
REV.	ECN NO.	DESCRIPTION	DRWN	APPD.	DATE



NOTES:

- MATERIAL:
HOUSING: LCP+30%G.F UL94V-0 COLOR: BLACK.
CONTACT: C5191 T=0.15±0.01mm.
SHELL: H65-1/2H T=0.3±0.02mm.
- FINISH:
CONTACT: 50u"~80u" Ni/G.F PLATED OVER ALL
SHELL: 50u"~80u"Ni/80u"MIN. MATTE Tin PLATED OVER ALL.
- MARKED \otimes DIMENSION SHOULD BE MEASURED IN FAI
- DIMENSIONS WITH MARK " " MUST BE CONTROLLED IN QIP.



UNITS	SCALE	REV.	SHEET	东莞市田都电子有限公司	
mm	1:1	X1	1 OF 1	DONGGUAN TIANDU ELECTRONICS CO.,LTD	
		DATE	2012-12-18	TITLE: Micro USB 5P/F B TYPE 四脚沉板(1.0)插脚斜口直边	
GENERAL TOLERANCE		DR.	MC	MAT'L	SEE NOTES
0. ±0.30		CHK.		FINISH	SEE NOTES
0.0 ±0.20		APPD.		DWG.NO.	05CB10-011
0.00 ±0.10				MODEL NO.	T10-05CB10
0.° ±4°				SIZE	A4
0.0° ±2°					

1

2

3

4

5

6