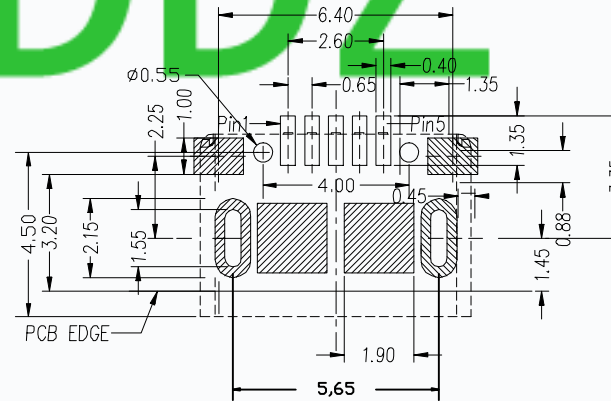
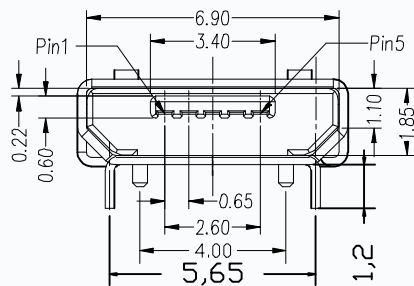
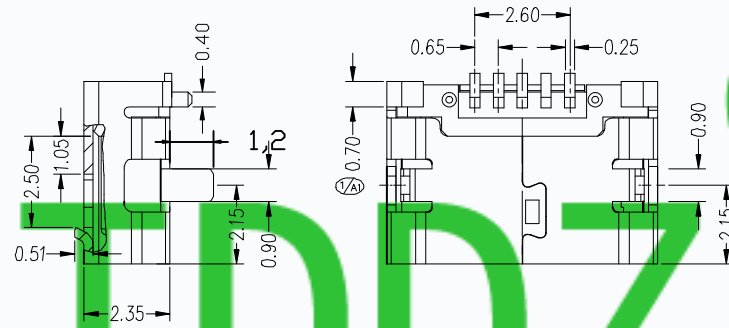
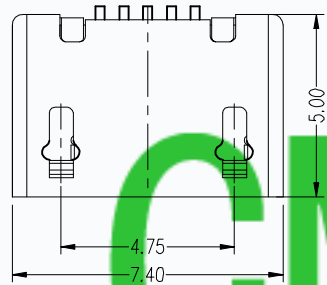
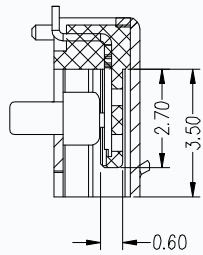


NOTES:

- MATERIAL:
HOUSING: THERMOPLASTIC HIGH-TEMP UL94V-0 BLACK COLOR.
CONTACT: COPPER ALLOY.
SHELL: COPPER ALLOY.
- FINISH:
CONTACT: 50u"~80u" Ni/G.F PLATED OVER ALL.
SHELL: 50u"~80u"Ni/80u"MIN. MATTE Tin PLATED OVER ALL.
- APPLIED TO IR SOLDERING PROCESS.
- SPECIFICATION:
4.1.ELECTRICAL CHARACTERISTICS
CONTACT CURRENT RATING:1A MIN.
VOLTAGE RATING:30V AC rms.
CONTACT RESISTANCE:30mΩ MAX.
DIELECTRIC WITHSTANDING VOLTAGE:
UNMATEP CONTACT 100V AC rms. 60MHZ FOR 1 MINUTE.
INSULATION RESISTANCE:1000MΩ MIN. 100V DC
TEMPERATURE RANGE:-20°C TO +85°C
4.2.MECHANICAL:
INSERTION FORCE:35N MAX.
WITHDRAWAL FORCE:8N MIN.
DURABILITY:10,000 CYCLES



RECOMMENDED PCB LAYOUT

THESE DRAWINGS AND SPECIFICATIONS ARE THE PROPERTY OF DONGGUAN TIANDU ELECTRONICS CO.,LTD. AND SHALL NOT BE REPRODUCED, COPIED OR USED IN ANY MANNER WITHOUT THE PRIOR WRITTEN CONSENT OF DONGGUAN TIANDU ELECTRONICS CO., LTD

UNITS
mm
MAT'L
材质
FINISH
硬度
Q'TY
数量

NAME(INTENDED USE)
USB
MODEL NO.
T10-05F B03
APPD:
CHKD:
DR: MC 11/9'13

东莞市田都电子有限公司

DONGGUAN TIANDU ELECTRONICS CO.,LTD

TITLE:
MICRO USB 5P/F B-TYPE 间距(5.65) 后脚间距(5.0)

DWG NO.:
CMTD03-565-5P-01

DIM	TOL	DIM	TOL
X.	±0.35	X°	±1°
X.X	±0.25	X.X°	±0.5°
X.XX	±0.15	X.XX°	±0.5°
X.XXX	±0.10	X.XXX°	±0.5°

SCALE	SHEET	REV.
1/1	1/1	A