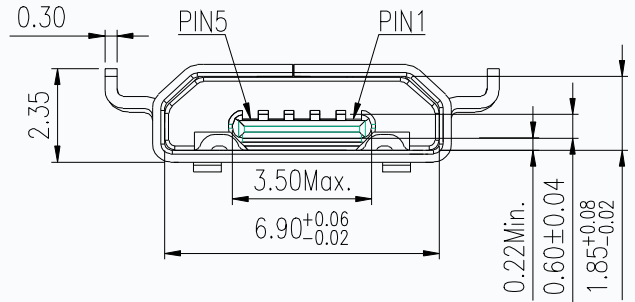
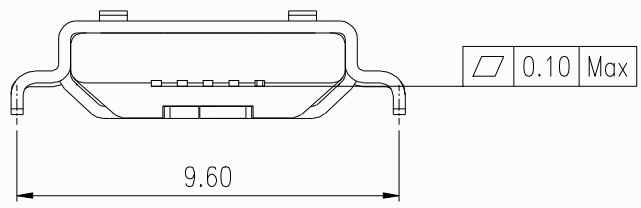
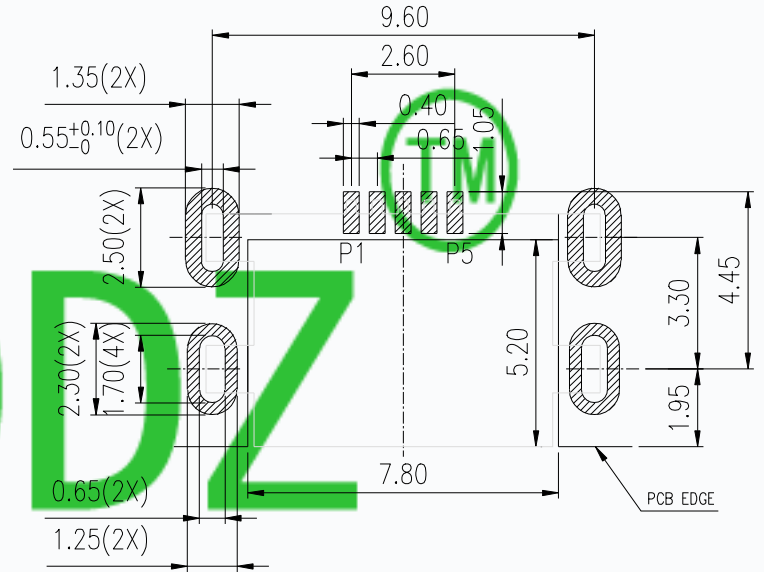
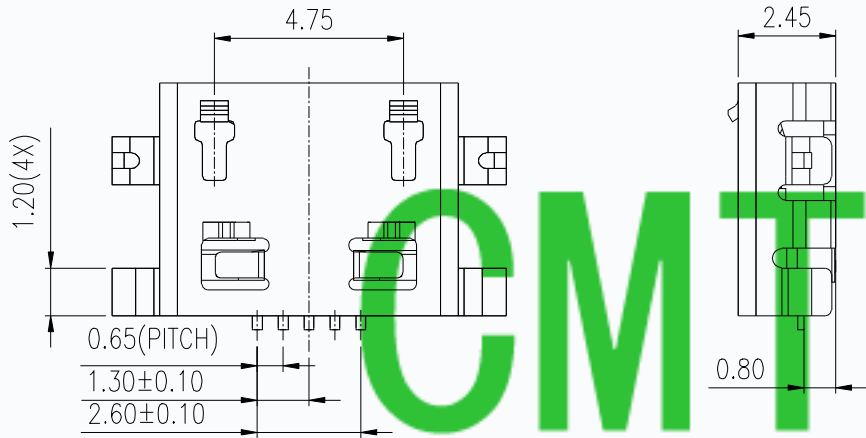


REV.	ECN NO.	DESCRIPTION	DRAW	APPD.	DATE
A1	---	新版发行	MC	SU	2018.10.09



- NOTES:
- CURRENT RATING: 0.5A(2.3.4CONTACT)/1.8A(1.5CONTACT) MAX.
  - VOLTAGE: 30 VAC
  - TEMPERATURE RANGE: -30 °C ~ 85 °C
  - CONTACT RESISTANCE: 30 MILLIONHM MAX.
  - DIELECTRIC WITHSTANDING VOLTAGE: 250 VAC r.m.s
  - INSULATION RESISTNACE: 100 MEGOHMS MIN

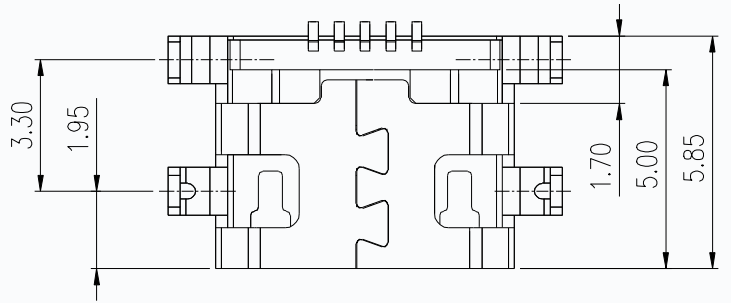


RECOMMENDED PCB LAYOUT(TOP VIEW)  
GENERAL TOLERANCES:±0.05

料号对照表:

品名	料号	外壳电镀规格	端子电镀
沉板0.8四脚插板无翻边	T10-05CB19-004	雾锡	1u"
沉板0.8四脚插板无翻边	T10-05CB19-098	镀镍刷金	1u"

NO.	DESCRIPTION	MATERIAL	REMARKS	QTY
3	SHELL	STAINLESS STEEL T=0.30mm	TIN/Ni/Au Plated	1PCS
2	CONTACT	COPPER ALLOY T=0.15mm	Au/Ni Plated	1SET
1	HOUSING	High temperature plastic	BLACK	1PCS



TOLERANCE		NAME(INTENDED USE) CUSTOMER DRAWING	东莞市田都电子有限公司 DONGGUAN TIANDU ELECTRONIC CO.,LTD		
X.X ±0.30	X.' ± 2'	PART NO. T10-05CB19-XXX	TITLE: MICRO USB 5P 沉板0.8 四脚插板带孔 直边		
.XX ±0.20	.X' ± 1'		DRAWG NO. 0101-0040		
.XXX ±0.10	.XX' ±0.5'				
UNITS	mm	APPD:			
MATERILA		CHED:			
FINISH		DRAW:			
			SCALE	SHEET	REV.
			1:1	1/1	A1