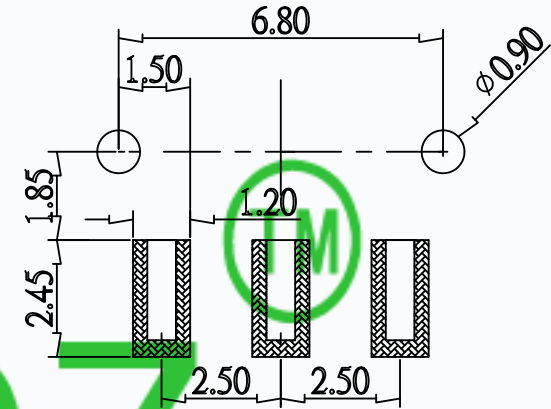
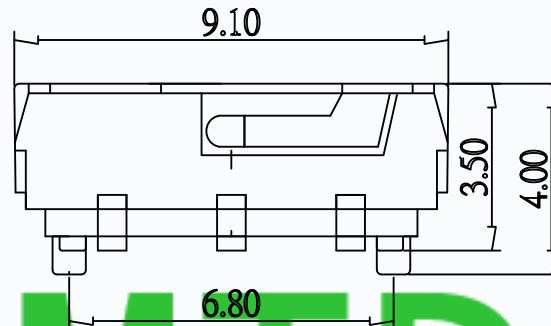
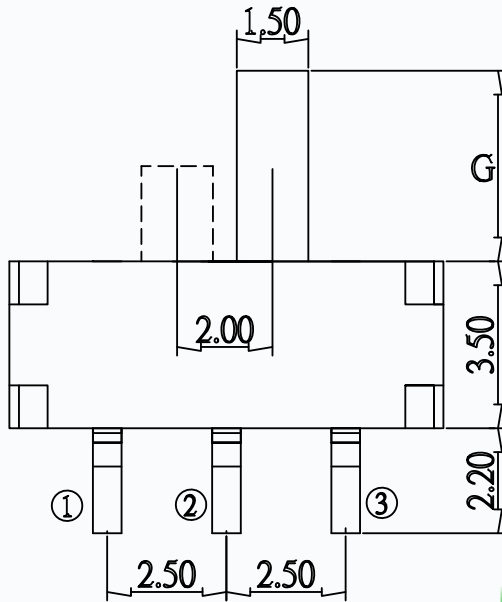
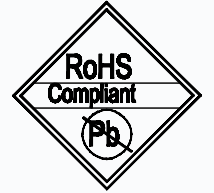


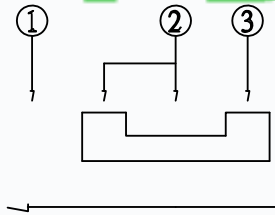
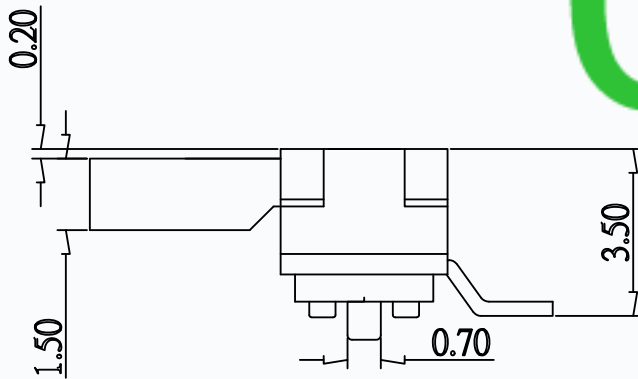
CAD FILE:

| | |
|--------------|---------|
| MODEL NO. | KN0B(G) |
| T1-1245S-D-G | <2~5>mm |



P.C.B LAND PATTERN

CMTDDZ



CIRCUIT DIAGRAM

SPECIFICATIONS

| | |
|---------------------------------|------------------|
| Rating | 0.3A 6V DC |
| Insulation Resistance | > 100 M Ω |
| Dielectric Withstanding Voltage | 500V 0.5mA/min |
| Contact Resistance | < 70 m Ω |
| Operating Force | 200gf \pm 50gf |
| Operating Life | 10,000 cycles |

| | | | | | | | | | | |
|-----|----------|-----------------|------|-----------|-----------------------------|-------|--------------------------------------|------------------------------|-------|-----------|
| 8 | | | | | TOLERANCE | | | | | |
| 7 | | | | | UNLESS SPECIFIED | | | | | |
| 6 | | | | | WITHIN 1.5mm : ± 0.1 mm | A | 2014-10-51 | TIANDU ELECTRONICS | | |
| 5 | CLIP | BECU | 2 | Ag PLATED | OVER 1.5mm : ± 0.2 mm | ISSUE | DATE | DESCRIPTIONS OF REVISION | APPD. | |
| 4 | TERMINAL | PHOSPHOR BRONZE | 3 | Ag PLATED | TITLE : MINI SLIDE SWITCH | | UNIT : mm | DRWG NO.:CMTDDZ-T1-1245S1-00 | | |
| 3 | CASE | PA46 | 1 | BLACK | MODEL: T1-1245S-D-G | | SCALE:3:1 | DWN. | ERIC | 2014-10-5 |
| 2 | COVER | SUS | 1 | Nature | CMTDDZ 东莞市田都电子有限公司 | | CHK'D | | MAIKO | 2014-10-5 |
| 1 | SLIDER | PA46 | 1 | BLACK | | | DONGGUAN TIANDU ELECTRONICS CO.,LTD. | | APPD | Coco |
| NO. | PARTS | MATERIALS | Q'TY | FINISH | | | | | | |