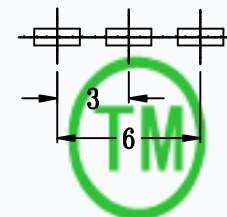
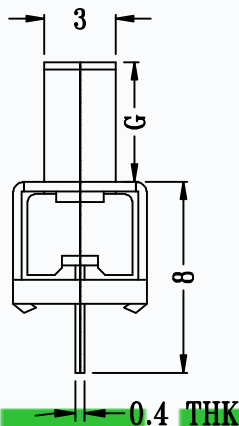
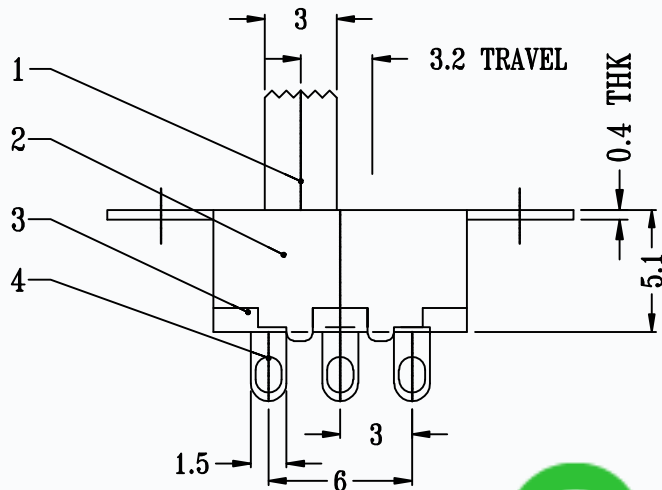
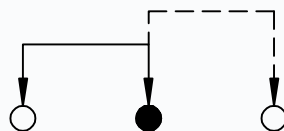
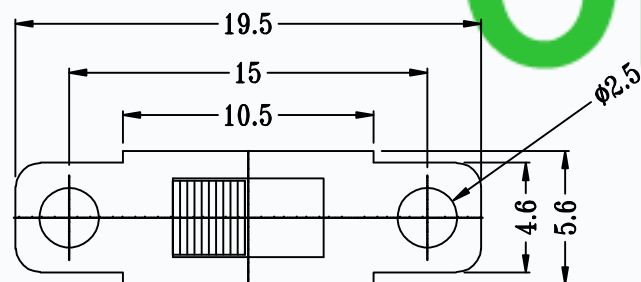




CAD FILE:

P.C.B LAYOUT
BOTTOM VIEW

SCHEMATIC (NON-SHORTING)

MODEL NO.	KNOB(G/VG)
T2-123015-G	(2~15)mm



CMTDDZ

SPECIFICATIONS

Rating	0.5A 50V DC
CIRCUIT	1P2T
Timing	NON-SHORTING
Travel	3.2mm
Contact Resistance	< 100 mΩ
Operating Force	250gf ± 100gf
Operating Life	10,000 cycles

8				
7				
6	SPRING	STEEL STRIP	1	NATURAL
5	CONTACT CLIP	PBS STRIP	1	Ag PLATED
4	TERMINAL	BRASS STRIP	3	Ag PLATED
3	BASE	PHENOLIC RESIN	1	NATURAL
2	FRAME	STEEL STRIP	1	NI PLATED
1	KNOB	POM	1	BLACK
NO.	PARTS	MATERIALS	Q'TY	FINISH

TOLERANCE UNLESS SPECIFIED		THESE DRAWINGS AND SPECIFICATIONS ARE THE PROPERTY OF DONGGUAN TIANDU ELECTRONICS CO.,LTD. AND SHALL NOT BE REPRODUCED, COPIED OR USED IN ANY MANNER WITHOUT THE PRIOR WRITTEN CONSENT OF DONGGUAN TIANDU ELECTRONICS CO., LTD		DESCRIPTIONS OF REVISION		APPD.	
WITHIN 1.5mm : ±0.1mm		OVER 1.5mm : ±0.2mm		TITLE : VERTICAL SLIDE SWITCH		UNIT : mm	
				DRWG NO.: CMTDDZ-T2-123015-00			
MODEL: T2-123015-G		SCALE: 3:1		DWN.		ERIC	
				CHK'D		MAIKO	
				APPD.		Coco	
						2013-6-17	
						2013-6-17	
						2013-6-17	

CMTDDZ 东莞市田都电子有限公司
DONGGUAN TIANDU ELECTRONICS CO.,LTD.