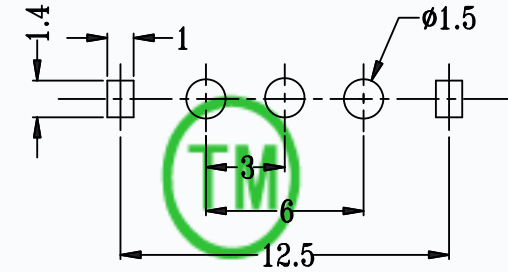
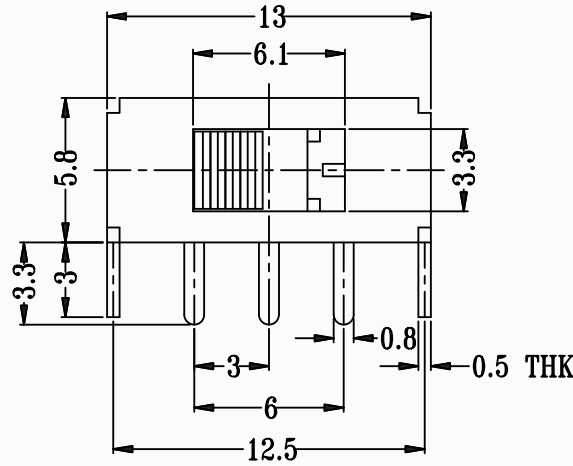
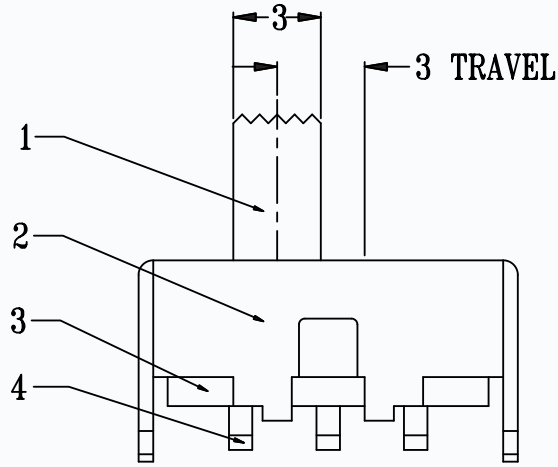


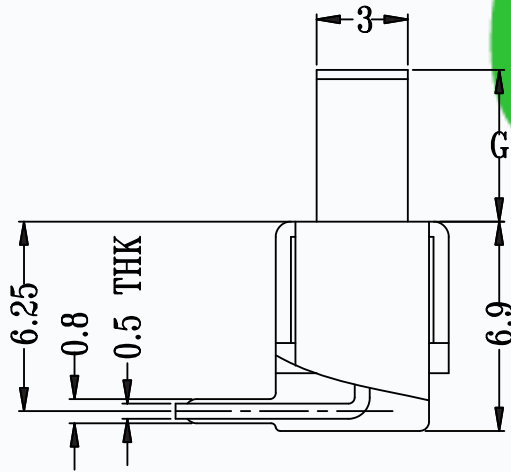
CAD FILE:



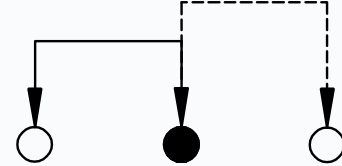
| | |
|-------------|------------|
| MODEL NO. | KNOB(G/VG) |
| T4-123023-G | (2~15)mm |



P.C.B. LAYOUT



CMTDDZ



SCHMATIC (NON-SHORTING)

SPECIFICATIONS

| | |
|--------------------|---------------|
| Rating | 0.5A 50V DC |
| CIRCUIT | 1P2T |
| Timing | NON-SHORTING |
| Travel | 3.0mm |
| Contact Resistance | < 100 mΩ |
| Operating Force | 250gf ± 100gf |
| Operating Life | 10,000 cycles |

| NO. | PARTS | MATERIALS | Q'TY | FINISH |
|-----|--------------|----------------|------|-----------|
| 8 | | | | |
| 7 | | | | |
| 6 | SPRING | STEEL STRIP | 1 | NATURAL |
| 5 | CONTACT CLIP | PBS STRIP | 1 | Ag PLATED |
| 4 | TERMINAL | BRASS STRIP | 3 | Ag PLATED |
| 3 | BASE | PHENOLIC RESIN | 1 | NATURAL |
| 2 | FRAME | STEEL STRIP | 1 | NI PLATED |
| 1 | KNOB | POM | 1 | BLACK |

| | | | | | | |
|-------------------------------|--|--|--|-------------------------------|-------|-----------|
| TOLERANCE UNLESS SPECIFIED | | THESE DRAWINGS AND SPECIFICATIONS ARE THE PROPERTY OF DONGGUAN TIANDU ELECTRONICS CO.,LTD. AND SHALL NOT BE REPRODUCED, COPIED OR USED IN ANY MANNER WITHOUT THE PRIOR WRITTEN CONSENT OF DONGGUAN TIANDU ELECTRONICS CO., LTD | | DESCRIPTIONS OF REVISION | | APPD. |
| WITHIN 1.5mm : ±0.1mm | | OVER 1.5mm : ±0.2mm | | TITLE : VERTICAL SLIDE SWITCH | | UNIT : mm |
| | | | | DRWG NO.: CMTDDZ-T2-123023-00 | | |
| MODEL: T2-123023-G | | SCALE: 3:1 | | DWN. | ERIC | 2013-6-17 |
| CMTDDZ 东莞市田都电子有限公司 | | DONGGUAN TIANDU ELECTRONICS CO.,LTD. | | CHK'D | MAIKO | 2013-6-17 |
| | | | | APPD. | Coco | 2013-6-17 |