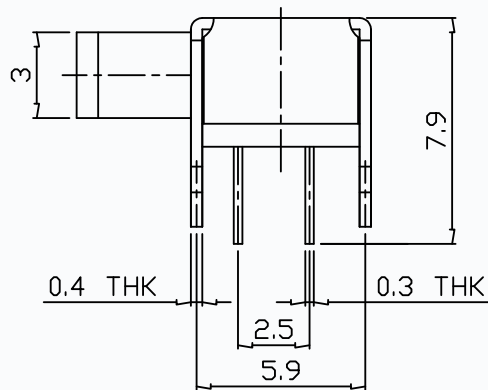
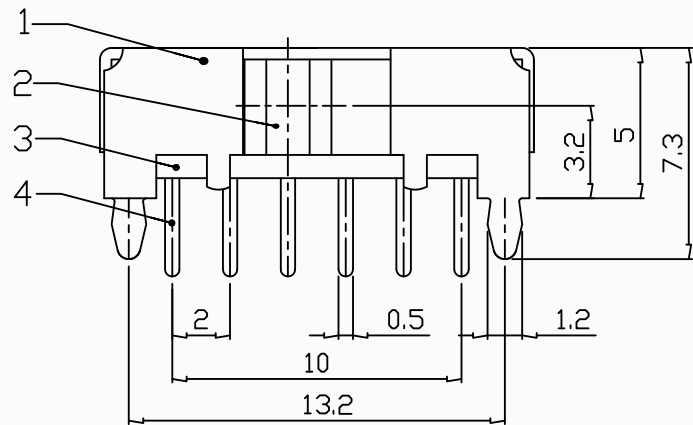
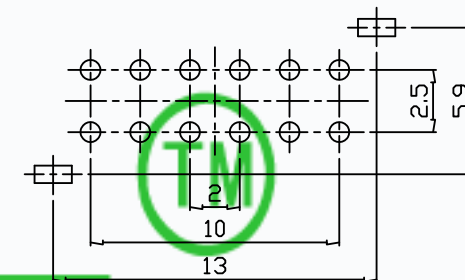




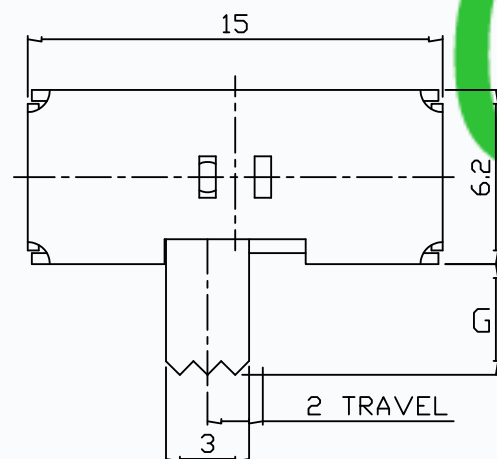
CAD FILE:



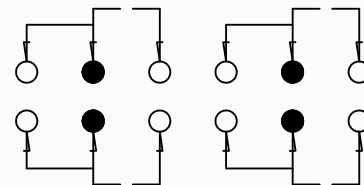
MODEL NO.	KNOB(G/VG)
T3-422001-G	(2~9)mm



P.C.B. LAYOUT



CMTDDZ



SCHEMATIC (NON-SHORTING)

SPECIFICATIONS

Rating	0.3A 50V DC
CIRCUIT	4P2T
Timing	NON-SHORTING
Travel	2.0mm
Contact Resistance	< 100 mΩ
Operating Force	250gf ± 100gf
Operating Life	10,000 cycles

NO.	PARTS	MATERIALS	Q'TY	FINISH	TOLERANCE UNLESS SPECIFIED	THESE DRAWINGS AND SPECIFICATIONS ARE THE PROPERTY OF DONGGUAN TIANDU ELECTRONICS CO.,LTD. AND SHALL NOT BE REPRODUCED, COPIED OR USED IN ANY MANNER WITHOUT THE PRIOR WRITTEN CONSENT OF DONGGUAN TIANDU ELECTRONICS CO., LTD	DESCRIPTIONS OF REVISION	APPD.	
8									
7									
6	SPRING PLATE	PBS STRIP	1	NATURAL	WITHIN 1.5mm : ±0.1mm				
5	CONTACT CLIP	PBS STRIP	4	Ag PLATED	OVER 1.5mm : ±0.2mm				
4	TERMINAL	BRASS STRIP	12	Ag PLATED					
3	BASE	PHENOLIC RESIN	1	NATURAL					
2	KNOB	POM	1	BLACK					
1	FRAME	STEEL STRIP	1	NI PLATED					
					TITLE : HORIZONTAL SLIDE SWITCH	UNIT : mm	DRWG NO.: CMTDDZ-T3-422001-00		
					MODEL: T3-422001-G	SCALE: 3:1	DWN.	ERIC	2013-6-17
					CMTDDZ 东莞市田都电子有限公司 DONGGUAN TIANDU ELECTRONICS CO.,LTD.	CHK'D	MAIKO	2013-6-17	
						APPD.	Coco	2013-6-17	