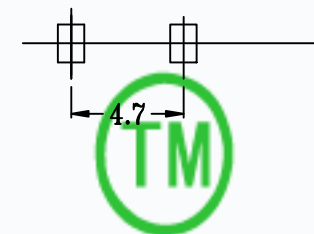
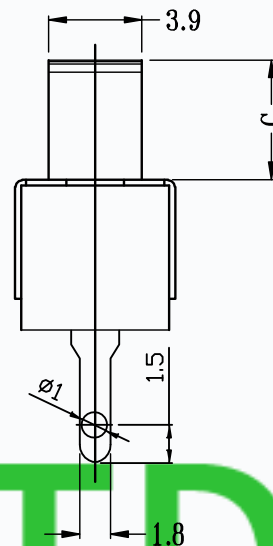
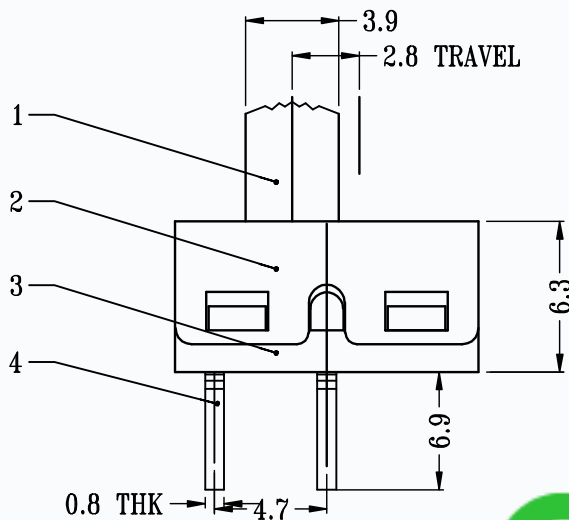




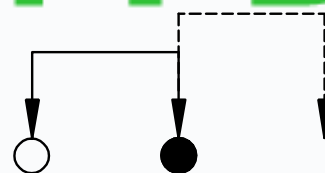
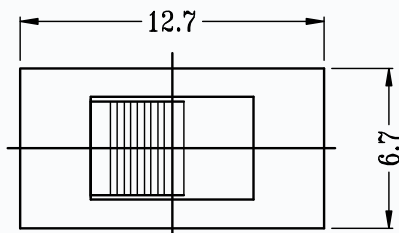
CAD FILE:

MODEL NO.	KNOB(G)
T4-124704-G	(2~10)mm



P.C.B. LAYOUT

CMTDDZ



SCHEMATIC (NON-SHORTING)

SPECIFICATIONS

Rating	AC250V 3A
CIRCUIT	1P2T
Insulation Resistance	> 100 MΩ
Travel	2.8mm
Contact Resistance	< 100 mΩ
Operating Force	300gf ± 100gf
Operating Life	10,000 cycles

NO.	PARTS	MATERIALS	Q'TY	FINISH	TOLERANCE UNLESS SPECIFIED WITHIN 1.5mm : ±0.1mm OVER 1.5mm : ±0.2mm	THESE DRAWINGS AND SPECIFICATIONS ARE THE PROPERTY OF DONGGUAN TIANDU ELECTRONICS CO.,LTD. AND SHALL NOT BE REPRODUCED, COPIED OR USED IN ANY MANNER WITHOUT THE PRIOR WRITTEN CONSENT OF DONGGUAN TIANDU ELECTRONICS CO., LTD	DESCRIPTIONS OF REVISION	APPD.		
8										
7	STEEL BALL	STEEL	1	NATURAL						
6	SPRING	STEEL WIRE	1	NATURAL						
5	CONTACT CLIP	BRASS STRIP	1	Ag PLATED						
4	TERMINAL	BRASS STRIP	2	Ag PLATED						
3	CASE	PA66	1	BLACK						
2	COVER	SUS	1	NATURAL						
1	KNOB	PA66	1	BLACK						
					TITLE : VERTICAL SLIDE SWITCH		UNIT : mm	DRWG NO.: CMTDDZ-T4-124704-00		
					MODEL: T4-124704-G		SCALE: 3:1	DWN.	ERIC	2013-6-17
					CMTDDZ 东莞市田都电子有限公司			CHK'D	MAIKO	2013-6-17
					DONGGUAN TIANDU ELECTRONICS CO.,LTD.			APPD.	Coco	2013-6-17