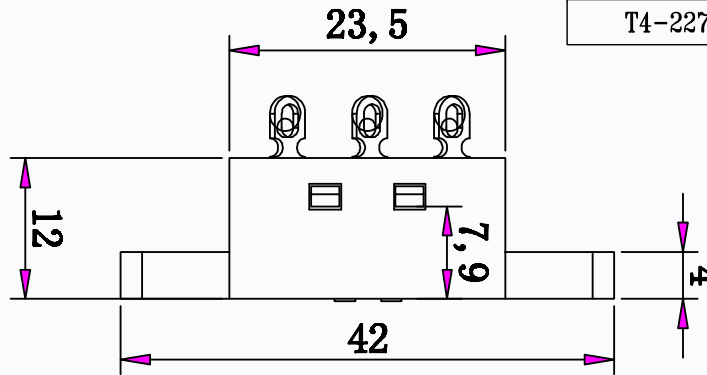
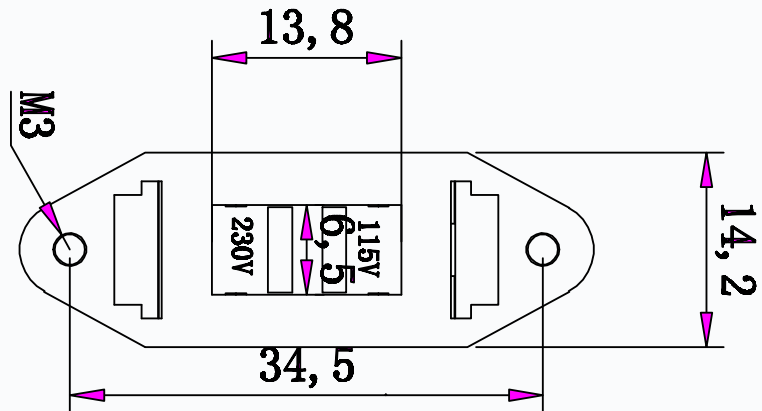
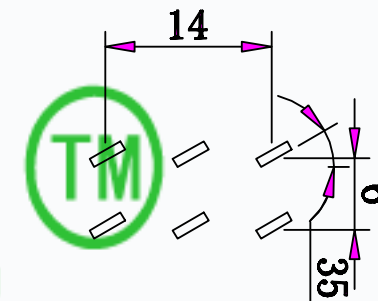


CAD FILE:

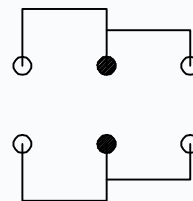
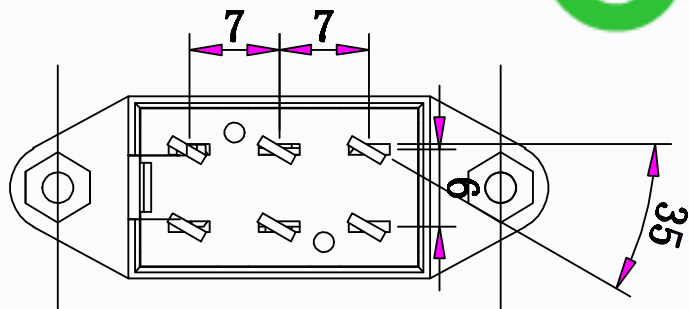


MODEL NO.	KNOB(G)
T4-227001-G	0mm



CMTDDZ

P.C.B. LAYOUT



CIRCUIT DIAGRAM

SPECIFICATIONS

Rating	5A 250VAC
CIRCUIT	2P2T
Insulation Resistance	> 100 MΩ
Travel	7.0mm
Contact Resistance	< 100 mΩ
Operating Force	250gf ± 100gf
Operating Life	10.000 cycles

NO.	PARTS	MATERIALS	Q'TY	FINISH
8				
7				
6	SPRING	STEEL WIRE	2	NATURAL
5	CONTACT CLIP	PBS STRIP	2	Ag PLATED
4	TERMINAL	BRASS STRIP	6	Ag PLATED OVER Ni PLATED
3	BASE	PA66	1	BLACK
2	FRAME	PA66	1	BLACK
1	KNOB	PA66	1	RED

TOLERANCE UNLESS SPECIFIED		THESE DRAWINGS AND SPECIFICATIONS ARE THE PROPERTY OF DONGGUAN TIANDU ELECTRONICS CO.,LTD. AND SHALL NOT BE REPRODUCED, COPIED OR USED IN ANY MANNER WITHOUT THE PRIOR WRITTEN CONSENT OF DONGGUAN TIANDU ELECTRONICS CO., LTD		DESCRIPTIONS OF REVISION		APPD.
WITHIN 1.5mm : ±0.1mm		OVER 1.5mm : ±0.2mm		TITLE : VERTICAL SLIDE SWITCH		UNIT : mm
				DRWG NO.: CMTDDZ-T4-227001-00		
		MODEL: T4-227001-G		SCALE: 3:1	DWN.	ERIC
					CHK'D	MAIKO
					APPD.	Coco
						2013-6-17
						2013-6-17
						2013-6-17

CMTDDZ 东莞市田都电子有限公司
DONGGUAN TIANDU ELECTRONICS CO.,LTD.