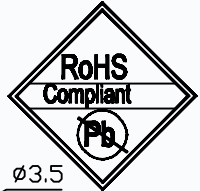
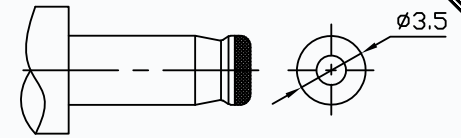
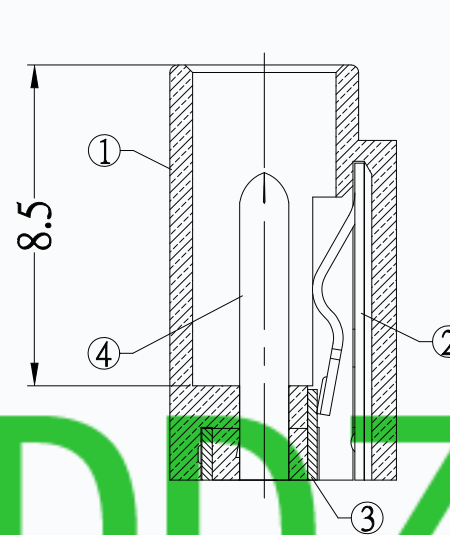
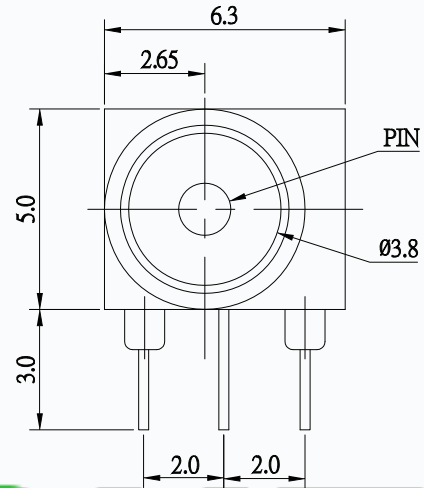
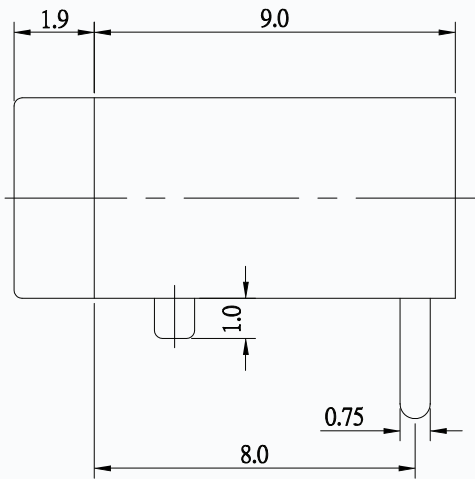


CAD FILE:

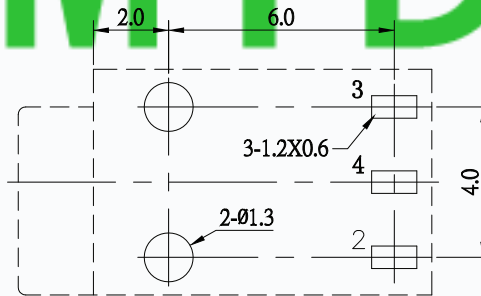
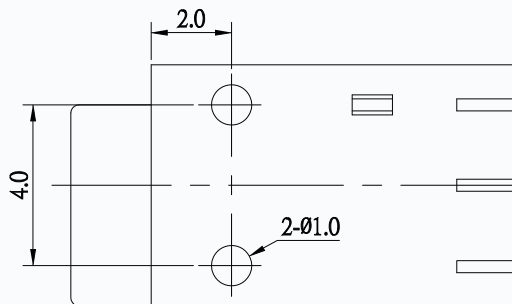


DC MATE PLUG

MODEL NO.	CENTER PIN(mm)
T12-00310-A	φ1.0
T12-00313-A	φ1.3

SCHEMATIC	
-----------	--

CMTDDZ



P.C.B. LAYOUT

SPECIFICATIONS

Rating	0.5A 30V DC
Insertion and extraction force	3-20N
Withstand voltage	500V AC
Insulation resistance	≥100MΩ
Contact resistance	≤ 50 mΩ
Life test	5,000 cycles

NO.	PARTS	MATERIALS	Q'TY	FINISH	TOLERANCE UNLESS SPECIFIED WITHIN 1.5mm : ±0.1mm OVER 1.5mm : ±0.2mm	THESE DRAWINGS AND SPECIFICATIONS ARE THE PROPERTY OF DONGGUAN TIANDU ELECTRONICS CO.,LTD. AND SHALL NOT BE REPRODUCED, COPIED OR USED IN ANY MANNER WITHOUT THE PRIOR WRITTEN CONSENT OF DONGGUAN TIANDU ELECTRONICS CO., LTD	DESCRIPTIONS OF REVISION	APPD.	
8									
7									
6									
5									
4	PIN	BRASS	1	Ag PLATED					
3	CURVE PIECE	BRASS	1	Ag PLATED					
2	SPRING	SUS	1	Ag PLATED					
1	HOUSING	PA66	1	BLACK					
					TITLE : DC JACK	UNIT : mm	DRWG NO.: CMTDDZ-T12-003XX-A-00		
					MODEL: T12-003XX-A	SCALE: 3:1	DWN.	ERIC	2013-6-17
					CMTDDZ 东莞市田都电子有限公司 DONGGUAN TIANDU ELECTRONICS CO.,LTD.	CHK'D	MAIKO	2013-6-17	
						APPD.	Coco	2013-6-17	