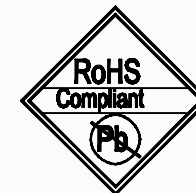
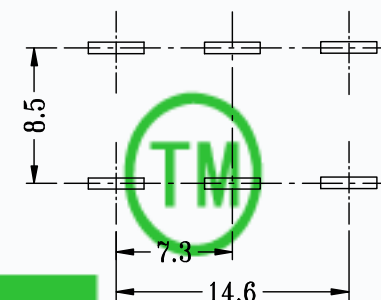
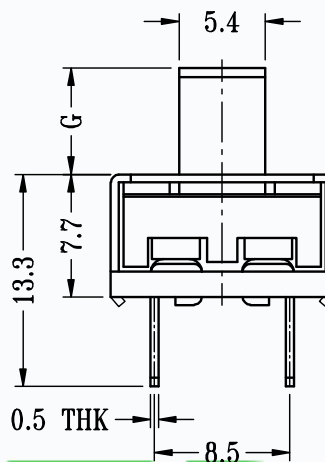
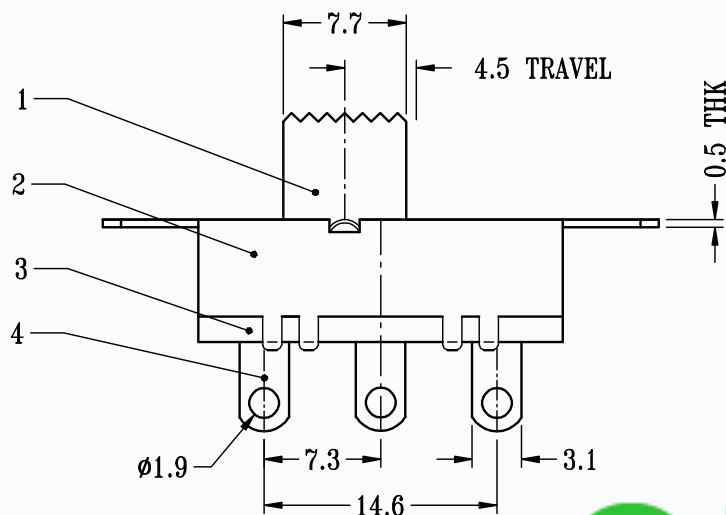




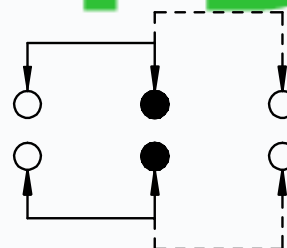
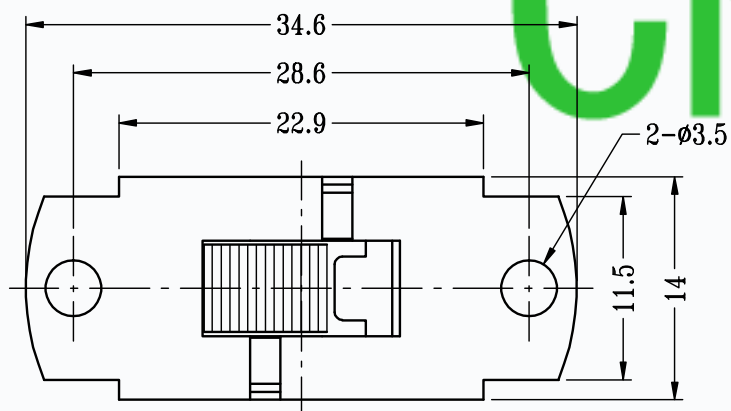
CAD FILE:



MODEL NO.	KNOB(G)
T4-227303-G	(2~15)mm



P.C.B. LAYOUT



CIRCUIT DIAGRAM

## SPECIFICATIONS

Rating	AC250V 3A
CIRCUIT	2P2T
Insulation Resistance	> 100 MΩ
Travel	4.5mm
Contact Resistance	< 100 mΩ
Operating Force	250gf ± 100gf
Operating Life	10,000 cycles

NO.	PARTS	MATERIALS	Q'TY	FINISH
8				
7	POSITION PLATE	PBS STRIP	1	NATURAL
6	SPRING PLATE	PBS STRIP	2	NATURAL
5	CONTACT	COPPER STRIP	2	Ag PLATED
4	TERMINAL	COPPER STRIP	6	Ag PLATED OVER Ni PLATED
3	BASE	PHENOLIC RESIN	1	BLACK
2	FRAME	STEEL STRIP	1	NI PLATED
1	KNOB	NYLON+FG+94V0	1	BLACK

TOLERANCE UNLESS SPECIFIED WITHIN 1.5mm : ±0.1mm OVER 1.5mm : ±0.2mm	THESE DRAWINGS AND SPECIFICATIONS ARE THE PROPERTY OF DONGGUAN TIANDU ELECTRONICS CO.,LTD. AND SHALL NOT BE REPRODUCED, COPIED OR USED IN ANY MANNER WITHOUT THE PRIOR WRITTEN CONSENT OF DONGGUAN TIANDU ELECTRONICS CO., LTD	DESCRIPTIONS OF REVISION	APPD.
TITLE : VERTICAL SLIDE SWITCH		UNIT : mm	DRWG NO.: CMTDDZ-T4-227303-00
MODEL: T4-227303-G		SCALE: 3:1	DWN. ERIC 2013-6-17
CMTDDZ 东莞市田都电子有限公司		CHK'D MAIKO	2013-6-17
DONGGUAN TIANDU ELECTRONICS CO.,LTD.		APPD. Coco	2013-6-17