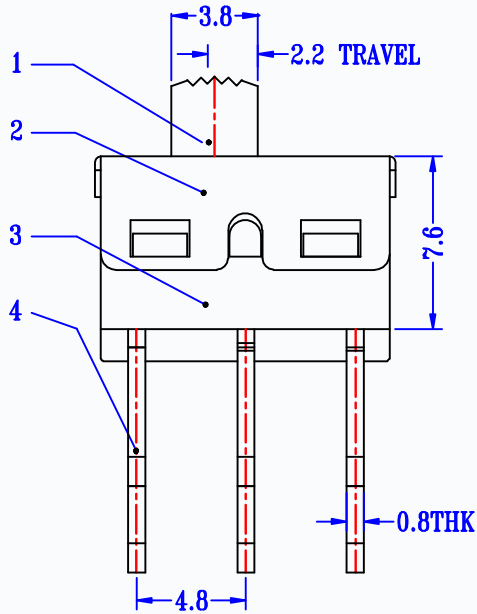
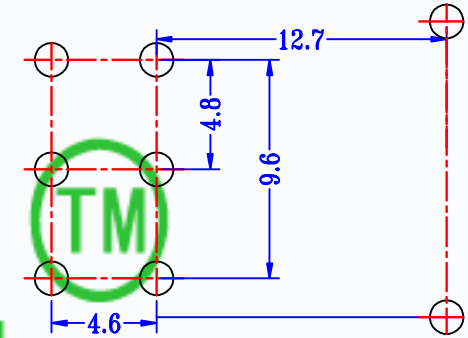
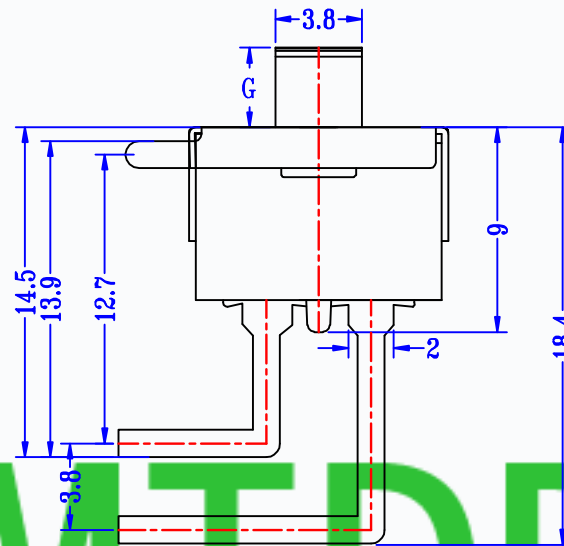




CAD FILE:

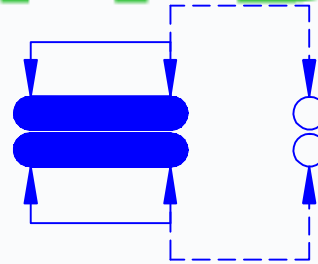
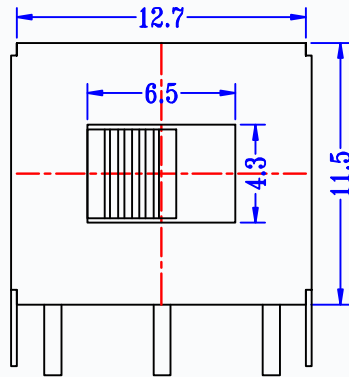


MODEL NO.	KNOB(G)
T4-224802-G	(2~10)mm



P.C.B. LAYOUT

CMTDDZ



CIRCUIT DIAGRAM

SPECIFICATIONS

Rating	AC250V 3A
CIRCUIT	2P2T
Insulation Resistance	> 100 MΩ
Travel	2.2mm
Contact Resistance	< 100 mΩ
Operating Force	250gf ± 100gf
Operating Life	10,000 cycles

8				
7	STEEL BALL	STEEL	2	NATURAL
6	SPRING	STEEL WIRD	2	NATURAL
5	CONTACT	BRASS STRIP	2	Ag PLATED
4	TERMINAL	COPPER STRIP	6	Ag PLATED
3	CASE	PA9T	1	RED
2	COVER	SUS	1	NATURAL
1	KNOB	PA9T	1	BLACK
NO.	PARTS	MATERIALS	Q'TY	FINISH

TOLERANCE UNLESS SPECIFIED		THESE DRAWINGS AND SPECIFICATIONS ARE THE PROPERTY OF DONGGUAN TIANDU ELECTRONICS CO.,LTD. AND SHALL NOT BE REPRODUCED, COPIED OR USED IN ANY MANNER WITHOUT THE PRIOR WRITTEN CONSENT OF DONGGUAN TIANDU ELECTRONICS CO., LTD		DESCRIPTIONS OF REVISION		APPD.
WITHIN 1.5mm : ±0.1mm		OVER 1.5mm : ±0.2mm		TITLE : VERTICAL SLIDE SWITCH		UNIT : mm
				DRWG NO.: CMTDDZ-T4-224802-00		
		MODEL: T4-224802-G		SCALE: 3:1		DWN. ERIC 2013-6-17
		CMTDDZ 东莞市田都电子有限公司		CHK'D MAIKO 2013-6-17		
		DONGGUAN TIANDU ELECTRONICS CO.,LTD.		APPD. Coco 2013-6-17		