



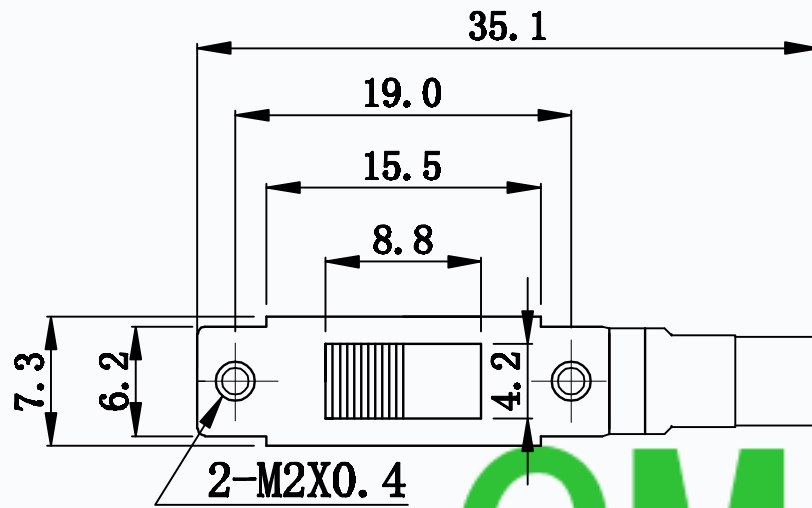
CAD FILE:

MODEL NO.

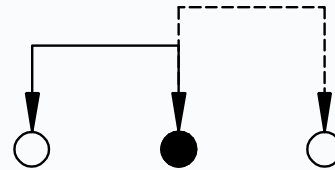
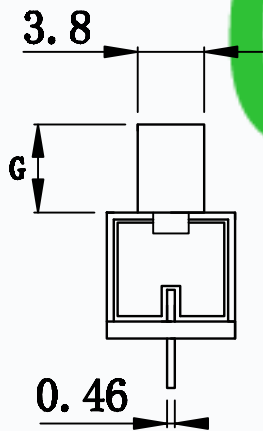
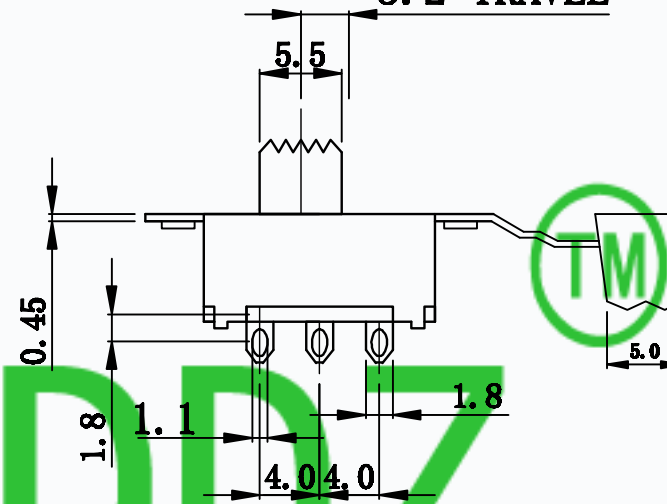
T2-124025-G

KNOB(G/VG)

(2~15)mm



3.2 TRAVEL



SCHEMATIC (NON-SHORTING)

SPECIFICATIONS

Rating	0.5A 50V DC
CIRCUIT	1P2T
Timing	NON-SHORTING
Travel	3.2mm
Contact Resistance	< 100 mΩ
Operating Force	250gf ± 100gf
Operating Life	10,000 cycles

NO.	PARTS	MATERIALS	Q'TY	FINISH
8				
7				
6	SPRING	STEEL STRIP	1	NATURAL
5	CONTACT CLIP	PBS STRIP	1	Ag PLATED
4	TERMINAL	BRASS STRIP	3	Ag PLATED
3	BASE	PHENOLIC RESIN	1	NATURAL
2	KNOB	POM	1	BLACK
1	FRAME	STEEL STRIP	1	NI PLATED

TOLERANCE
UNLESS SPECIFIED
WITHIN 1.5mm : ±0.1mm
OVER 1.5mm : ±0.2mm

THESE DRAWINGS AND SPECIFICATIONS
ARE THE PROPERTY OF DONGGUAN
TIANDU ELECTRONICS CO.,LTD. AND
SHALL NOT BE REPRODUCED, COPIED
OR USED IN ANY MANNER WITHOUT
THE PRIOR WRITTEN CONSENT OF
DONGGUAN TIANDU ELECTRONICS CO., LTD

DESCRIPTIONS OF REVISION	APPD.

TITLE : VERTICAL SLIDE SWITCH

UNIT : mm

DRWG NO.: CMTDDZ-T2-124025-00

MODEL: T2-124025-G

SCALE: 3:1

DWN. ERIC 2013-6-17

CMTDDZ 东莞市田都电子有限公司
DONGGUAN TIANDU ELECTRONICS CO.,LTD.

CHK'D MAIKO 2013-6-17

APPD. Coco 2013-6-17