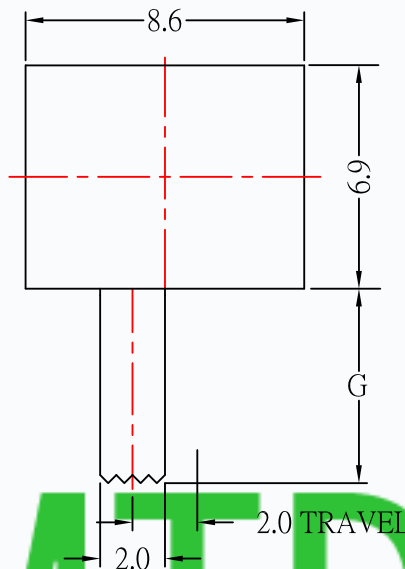
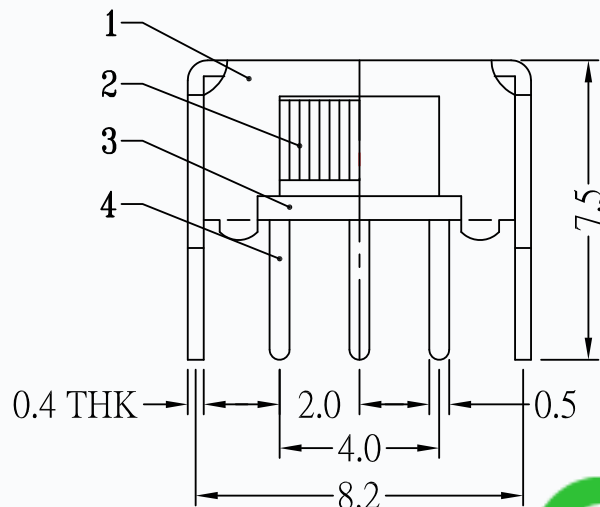
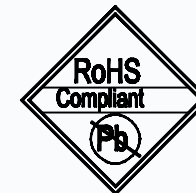
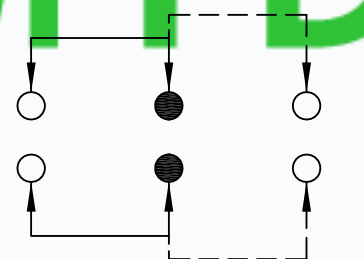
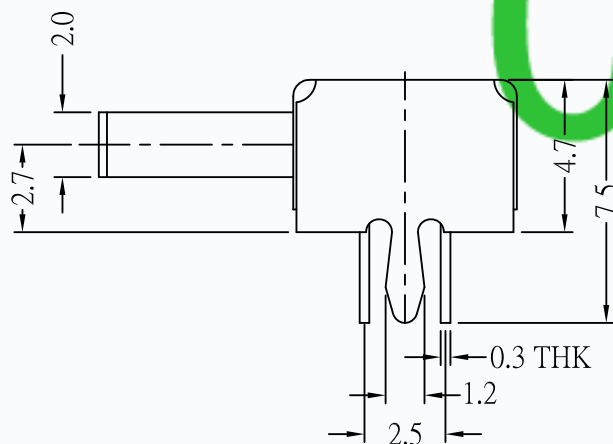
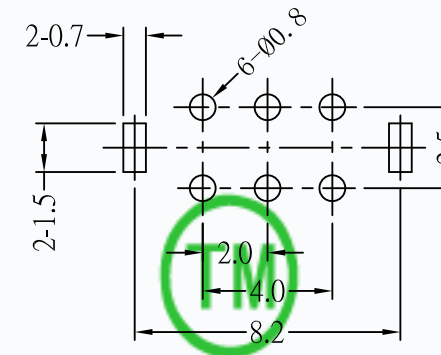




CAD FILE:



MODEL NO.	KNOB(G/VG)
T3-222003-G	(2~9)mm



SCHEMATIC (NON-SHORTING)

P.C.B. LAYOUT

SPECIFICATIONS

Rating	0.3A 50V DC
CIRCUIT	2P2T
Timing	NON-SHORTING
Travel	2.0mm
Contact Resistance	< 100 mΩ
Operating Force	250gf ± 100gf
Operating Life	10,000 cycles

8					TOLERANCE UNLESS SPECIFIED WITHIN 1.5mm : ±0.1mm OVER 1.5mm : ±0.2mm	THESE DRAWINGS AND SPECIFICATIONS ARE THE PROPERTY OF DONGGUAN TIANDU ELECTRONICS CO.,LTD. AND SHALL NOT BE REPRODUCED, COPIED OR USED IN ANY MANNER WITHOUT THE PRIOR WRITTEN CONSENT OF DONGGUAN TIANDU ELECTRONICS CO., LTD	DESCRIPTIONS OF REVISION			APPD.	
7											
6	SPRING PLATE	SUS	1	NATURAL	TITLE : HORIZONTAL SLIDE SWITCH UNIT : mm DRWG NO.: CMTDDZ-T3-222003-00		SCALE: 3:1		DWN.	ERIC	2013-6-17
5	CONTACT CLIP	PBS STRIP	2	Ag PLATED			MODEL: T3-222003-G		CHK'D	MAIKO	2013-6-17
4	TERMINAL	BRASS STRIP	6	Ag PLATED			CMTDDZ 东莞市田都电子有限公司		APPD.	Coco	2013-6-17
3	BASE	PHENOLIC RESIN	1	NATURAL			DONGGUAN TIANDU ELECTRONICS CO.,LTD.				
2	KNOB	POM	1	BLACK							
1	FRAME	STEEL STRIP	1	NI PLATED							
NO.	PARTS	MATERIALS	Q'TY	FINISH							