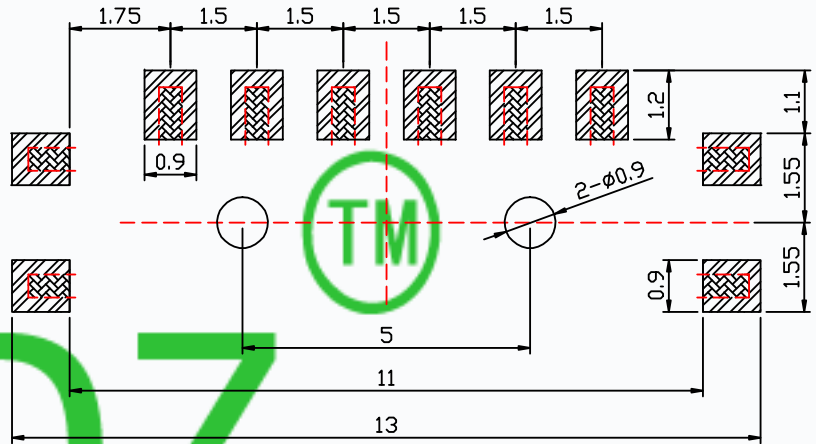
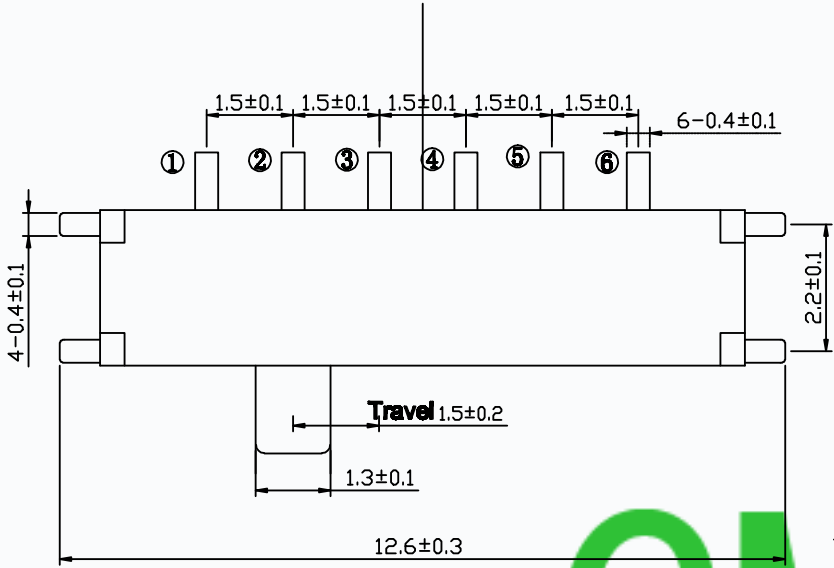
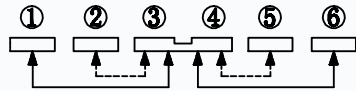
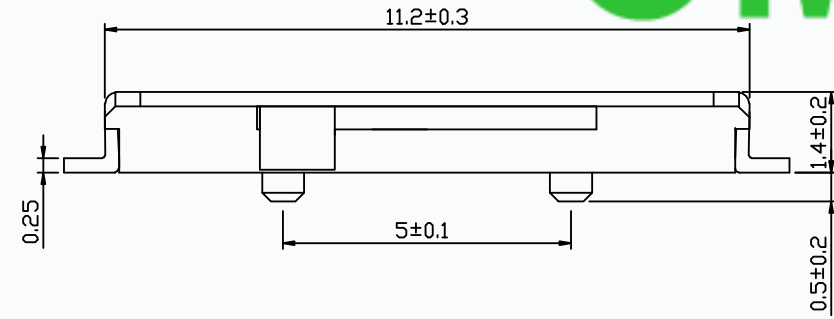


MODEL NO.	KNOB(G)
T1-1492M-G	(1.5~3)mm



CMTDDZ

P.C.B LAND PATTERN



CIRCUIT DIAGRAM

SPECIFICATIONS

Rating	0.3A 6V DC
Insulation Resistance	> 100 MΩ
Dielectric Withstanding Voltage	500V 0.5mA/min
Contact Resistance	< 70 mΩ
Operating Force	200gf ± 50gf
Operating Life	10,000 cycles

8				
7				
6	SPRING	SUS	1	NATURE
5	CLIP	BECU	1	Ag PLATED
4	TERMINAL	PHOSPHOR BRONZE	10	Ag PLATED
3	CASE	LCP	1	BLACK
2	COVER	SUS	1	NATURE
1	SLIDER	PA46	1	BLACK
NO.	PARTS	MATERIALS	Q'TY	FINISH

TOLERANCE UNLESS SPECIFIED					
WITHIN 1.5mm : ±0.1mm		A			
OVER 1.5mm : ±0.2mm		ISSUE	DATE	DESCRIPTIONS OF REVISION	
TITLE : MINI SLIDE SWITCH			UNIT : mm	DRWG NO.:CMTDDZ-T1-1492M-00	
MODEL: T1-1492M-G			SCALE:3:1	DWN	ERIC 2014-10-5
CMTDDZ 东莞市田都电子有限公司 DONGGUAN TIANDU ELECTRONICS CO.,LTD.			APPD		MAIKO 2014-10-5
			APPD		Coco 2014-10-5