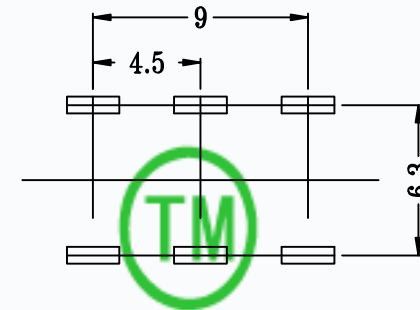
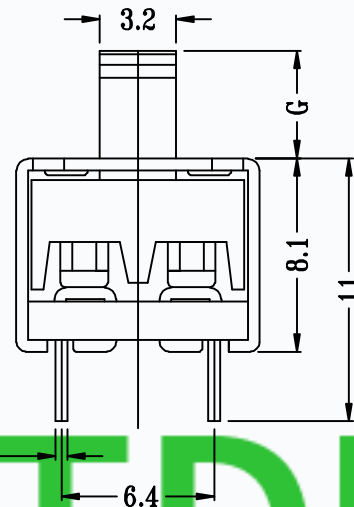
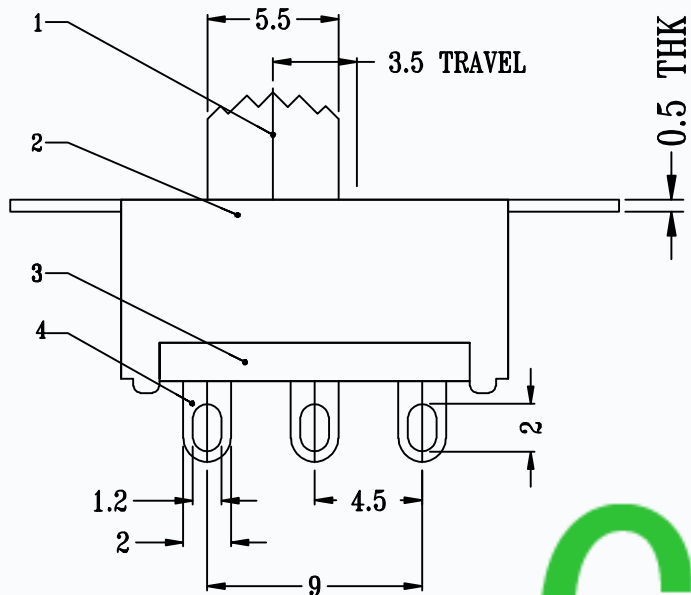


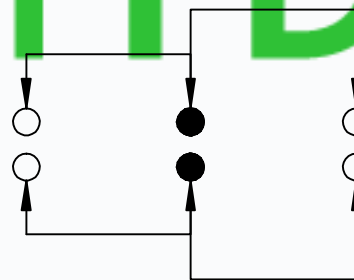
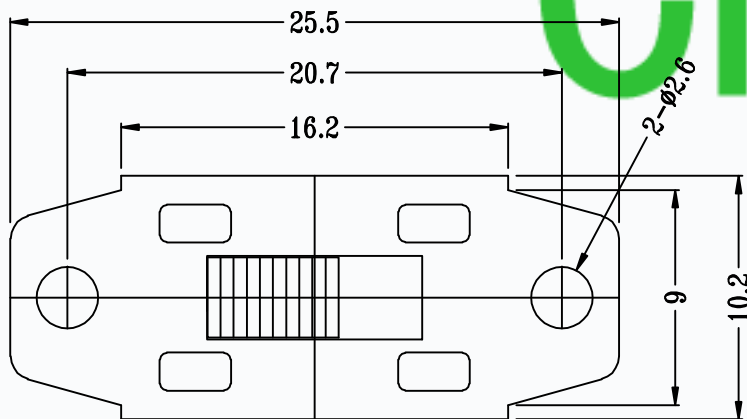
CAD FILE:



MODEL NO.	KNOB(G)
T4-224502-G	(2~10)mm



P.C.B. LAYOUT



CIRCUIT DIAGRAM

SPECIFICATIONS

Rating	AC250V 3A
CIRCUIT	2P2T
Insulation Resistance	> 100 MΩ
Travel	3.5mm
Contact Resistance	< 100 mΩ
Operating Force	250gf ± 100gf
Operating Life	10,000 cycles

8				
7				
6	SPRING PLATE	PBS STRIP	2	NATURAL
5	CONTACT	COPPER STRIP	2	Ag PLATED
4	TERMINAL	COPPER STRIP	6	Ag PLATED
3	BASE	PHENOLIC RESIN	1	BLACK
2	FRAME	STEEL STRIP	1	NI PLATED
1	KNOB	PA9T	1	BLACK
NO.	PARTS	MATERIALS	Q'TY	FINISH

TOLERANCE UNLESS SPECIFIED		THESE DRAWINGS AND SPECIFICATIONS ARE THE PROPERTY OF DONGGUAN TIANDU ELECTRONICS CO.,LTD. AND SHALL NOT BE REPRODUCED, COPIED OR USED IN ANY MANNER WITHOUT THE PRIOR WRITTEN CONSENT OF DONGGUAN TIANDU ELECTRONICS CO., LTD		DESCRIPTIONS OF REVISION		APPD.
WITHIN 1.5mm : ±0.1mm		OVER 1.5mm : ±0.2mm		TITLE : VERTICAL SLIDE SWITCH		UNIT : mm
				DRWG NO.: CMTDDZ-T4-224502-00		
MODEL: T4-224502-G		SCALE: 3:1		DWN.	ERIC	2013-6-17
CMTDDZ 东莞市田都电子有限公司		DONGGUAN TIANDU ELECTRONICS CO.,LTD.		CHK'D	MAIKO	2013-6-17
				APPD.	Coco	2013-6-17