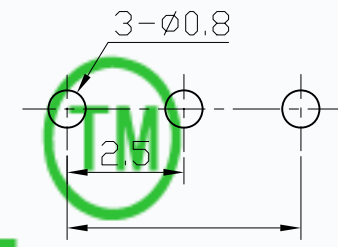
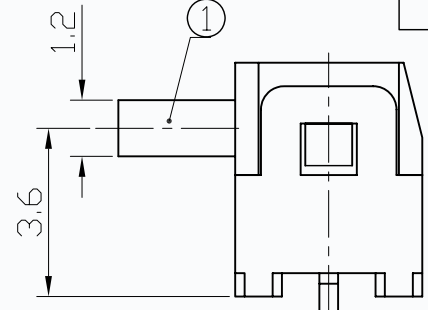
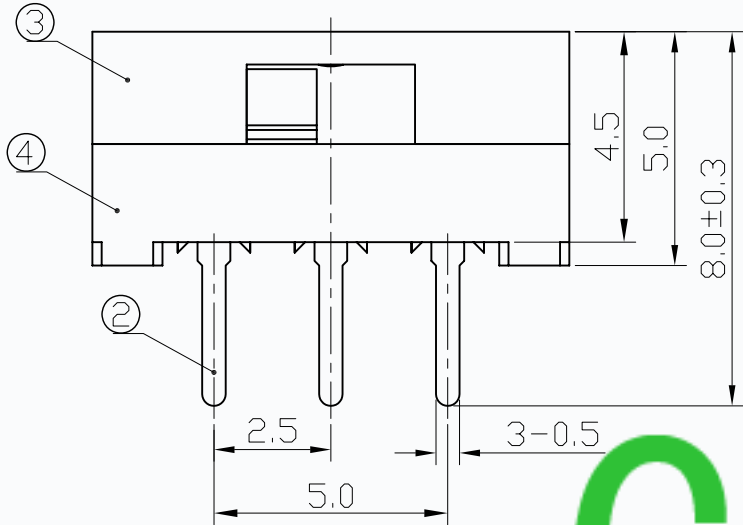
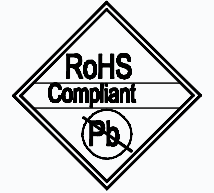


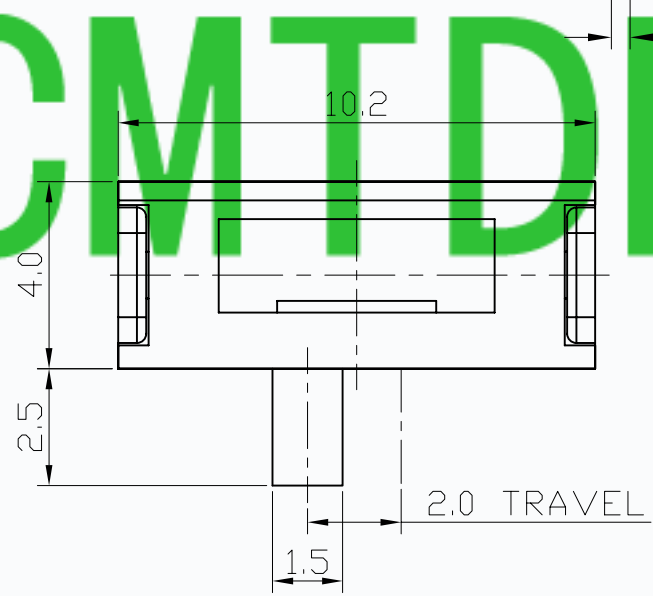
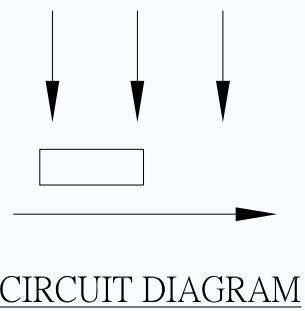
CAD FILE:

MODEL NO.	KNOB(G)
T1-1225D-G	<2~5>mm



P. C. B LAYOUT

# CMTDDZ



SPECIFICATIONS	
Rating	0.3A 6V DC
Insulation Resistance	> 100 MΩ
Dielectric Withstanding Voltage	500V 0.5mA/min
Contact Resistance	< 70 mΩ
Operating Force	200gf ± 100gf
Operating Life	10,000 cycles

NO.	PARTS	MATERIALS	Q'TY	FINISH
8				
7				
6				
5	CLIP	BECU	1	Ag PLATED
4	TERMINAL	PHOSPHOR BRONZE	3	Ag PLATED
3	CASE	PA46	1	BLACK
2	COVER	PA46	1	BLACK
1	SLIDER	PA46	1	BLACK

TOLERANCE UNLESS SPECIFIED				
WITHIN 1.5mm : ±0.1mm	A	2014-8-31	TIANDU ELECTRONICS	
OVER 1.5mm : ±0.2mm	ISSUE	DATE	DESCRIPTIONS OF REVISION	
TITLE : MINI SLIDE SWITCH			UNIT : mm	DRWG NO.:CMTDDZ-T1-1225D-00
MODEL: T1-1225D-G			SCALE:3:1	DWN, ERIC 2014-8-31
<b>CMTDDZ 东莞市田都电子有限公司</b>			CHK'D MAIKO	2014-8-31
DONGGUAN TIANDU ELECTRONICS CO.,LTD.			APPD Coco	2014-8-29