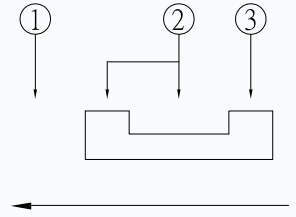
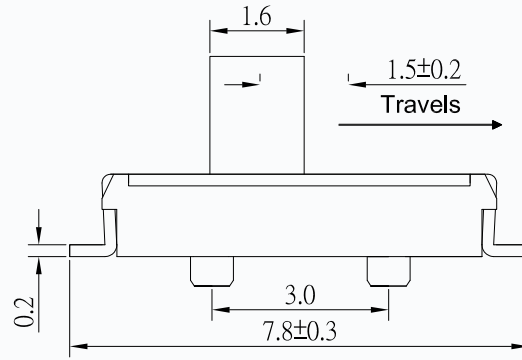
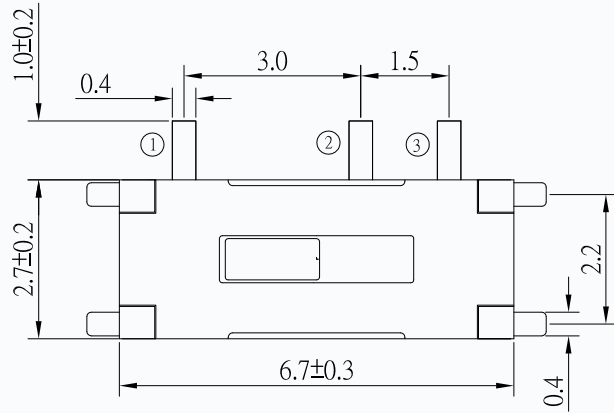


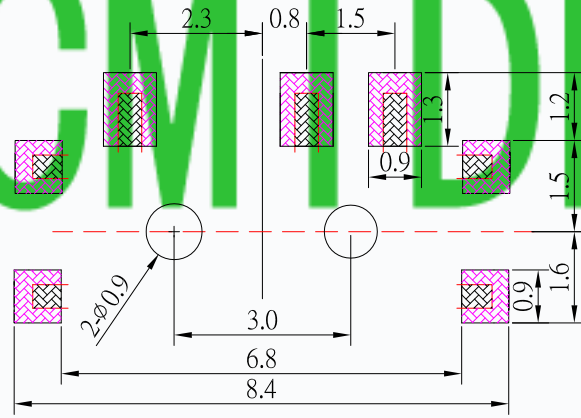
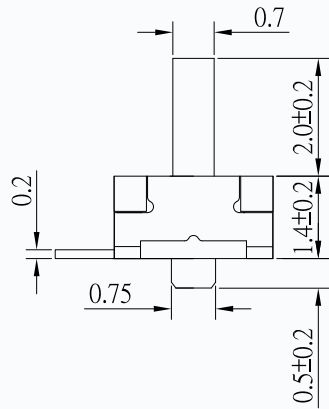
CAD FILE:



CIRCUIT DIAGRAM



CMTDDZ



P.C.B LAND PATTERN

SPECIFICATIONS

Rating	0.3A 6V DC
Insulation Resistance	> 100 MΩ
Dielectric Withstanding Voltage	500V 0.5mA/min
Contact Resistance	< 70 mΩ
Operating Force	200gf ± 100gf
Operating Life	10,000 cycles

NO.	PARTS	MATERIALS	Q'TY	FINISH	TOLERANCE UNLESS SPECIFIED			
8								
7								
6	CONTACT	BECU	1	Ag PLATED	WITHIN 1.5mm : ±0.1mm	A	2014-8-29	TIANDU ELECTRONICS
5	CLIP	SUS	1	NATURE	OVER 1.5mm : ±0.2mm	ISSUE	DATE	DESCRIPTIONS OF REVISION
4	TERMINAL	PHOSPHOR BRONZE	3	Ag PLATED	TITLE : MINI SLIDE SWITCH		UNIT : mm	DRWG NO.:CMTDDZ-T1-1292S-00
3	CASE	LCP	1	BLACK	MODEL: T1-1292S-G		SCALE:3:1	DWN. ERIC 2014-8-29
2	COVER	BRASS	1	Ag PLATED	东莞市田都电子有限公司 DONGGUAN TIANDU ELECTRONIC CO.,LTD.			CHK'D MAIKO 2014-8-29
1	SLIDER	PA46	1	BLACK				APPD Coco 2014-8-29
NO.	PARTS	MATERIALS	Q'TY	FINISH				APPD Coco 2014-8-29