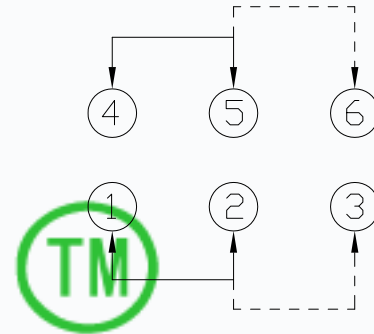
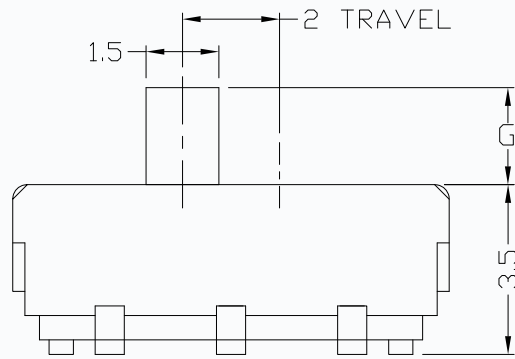
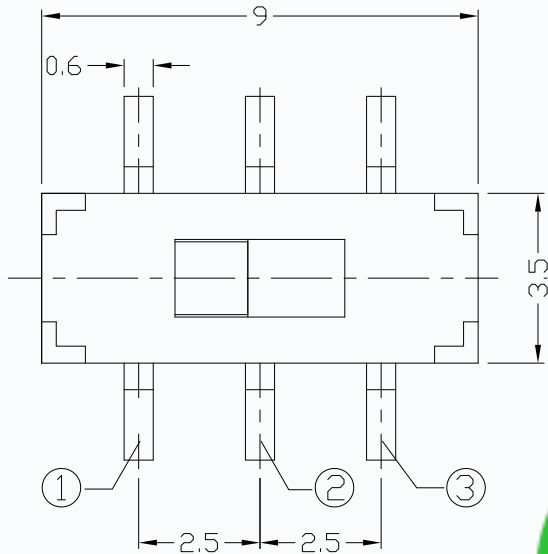
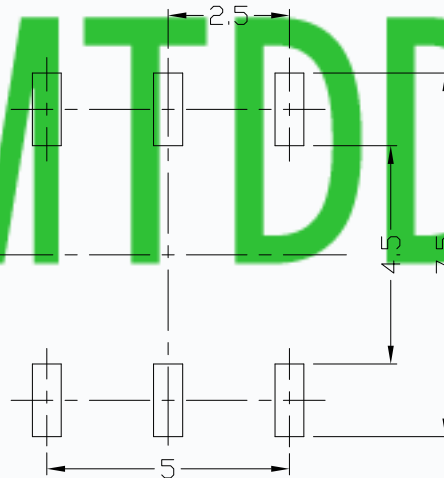
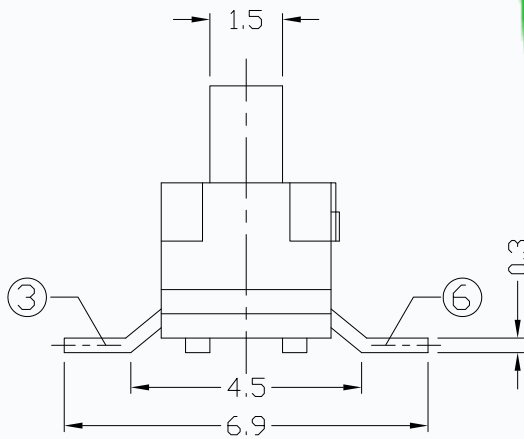


CAD FILE:



CIRCUIT DIAGRAM

CMTDDZ



P.C.B LAYOUT
TOP VIEW

SPECIFICATIONS	
Rating	0.3A 6V DC
Insulation Resistance	> 100 MΩ
Dielectric Withstanding Voltage	500V 0.5mA/min
Contact Resistance	< 70 mΩ
Operating Force	200gf ± 100gf
Operating Life	10,000 cycles

NO.	PARTS	MATERIALS	Q'TY	FINISH	TOLERANCE UNLESS SPECIFIED	ISSUE	DATE	DESCRIPTIONS OF REVISION	APPD.	
8										
7										
6					WITHIN 1.5mm : ±0.1mm OVER 1.5mm : ±0.2mm	A	2014-8-29	TIANDU ELECTRONICS		
5	CLIP	BECU	2	Ag PLATED						
4	TERMINAL	PHOSPHOR BRONZE	6	Ag PLATED						
3	CASE	PA46	1	BLACK						
2	COVER	SUS	1	Nature						
1	SLIDER	PA46	1	BLACK						
					TITLE : MINI SLIDE SWITCH MODEL: T1-2235S-G			UNIT : mm SCALE:3:1	DRWG NO.:CMTDDZ-T1-2235S-00	
					东莞市田都电子有限公司 DONGGUAN TIANDU ELECTRONIC CO.,LTD.			DWN.	ERIC	2014-8-29
								CHK'D	MAIKO	2014-8-29
								APPD	Coco	2014-8-29