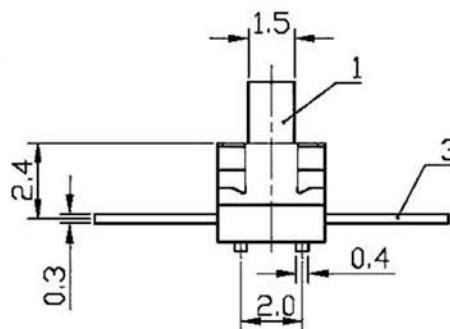
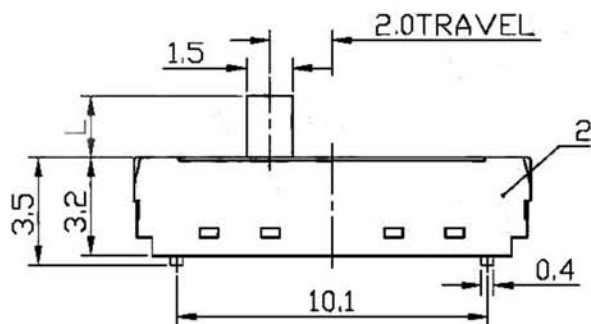
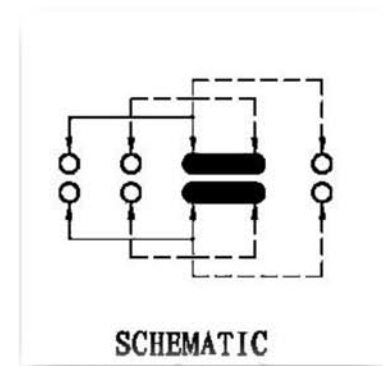
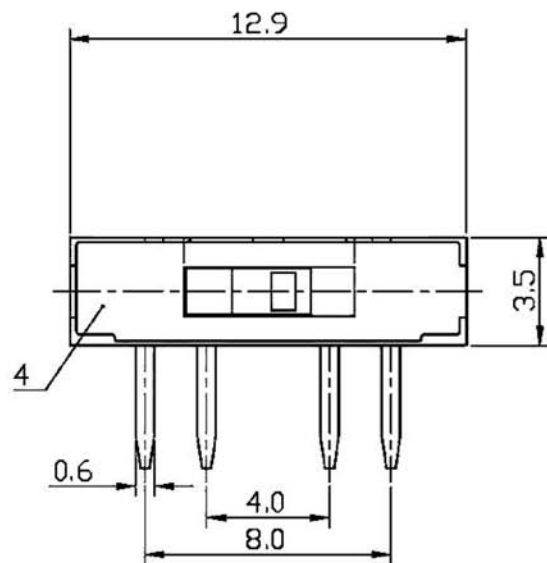


CAD FILE:

MODEL NO.	KN0B(G)
T1-1336S-G	(2~5)mm



SPECIFICATIONS	
Rating	0.3A 6V DC
Insulation Resistance	> 100 MΩ
Dielectric Withstanding Voltage	500V 0.5mA/min
Contact Resistance	< 70 mΩ
Operating Force	200gf ± 100gf
Operating Life	10,000 cycles

NO.	PARTS	MATERIALS	Q'TY	FINISH	TOLERANCE UNLESS SPECIFIED	ISSUE	DATE	DESCRIPTIONS OF REVISION	APPD.	
8										
7										
6										
5	CLIP	BECU	1	Ag PLATED	WITHIN 1.5mm : ±0.1mm OVER 1.5mm : ±0.2mm	A	2014-8-31	TIANDU ELECTRONICS		
4	TERMINAL	PHOSPHOR BRONZE	4	Ag PLATED				DRWG NO.:CMTDDZ-T1-1336S-00		
3	CASE	PA46	1	BLACK				DWN, ERIC	2014-8-31	
2	COVER	SUS	1	Nature				CHK'D MAIKO	2014-8-31	
1	SLIDER	PA46	1	BLACK				APPD Coco	2014-8-29	
					CMTDDZ 东莞市田都电子有限公司 DONGGUAN TIANDU ELECTRONICS CO.,LTD.					

CMTDDZ 东莞市田都电子有限公司
DONGGUAN TIANDU ELECTRONICS CO.,LTD.