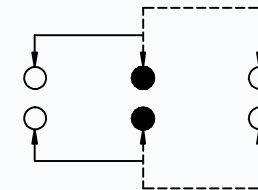
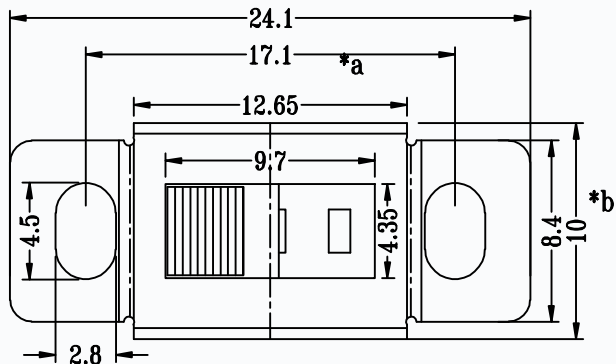
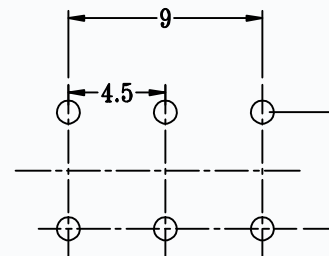
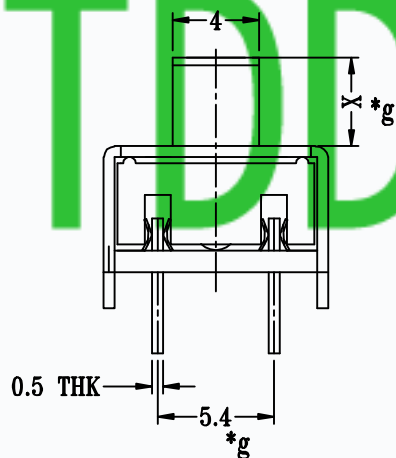
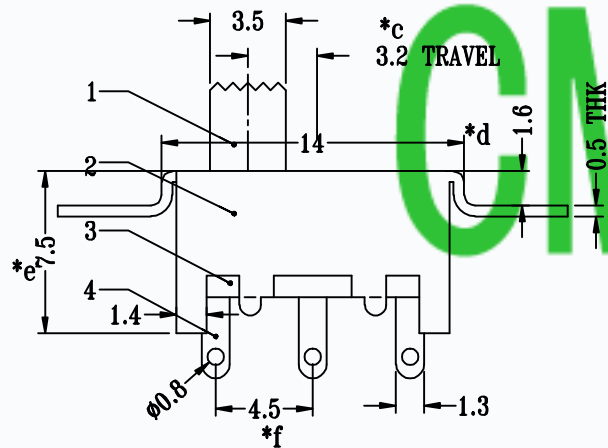


CAD FILE:



SCHEMATIC (NON-SHORTING)



P.C.B LAYOUT
BOTTOM VIEW

NO.	PARTS	MATERIALS	Q'TY	FINISH	TOLERANCE UNLESS SPECIFIED		THESE DRAWINGS AND SPECIFICATIONS ARE THE PROPERTY OF DONGGUAN TIANDU ELECTRONICS CO.,LTD. AND SHALL NOT BE REPRODUCED, COPIED OR USED IN ANY MANNER WITHOUT THE PRIOR WRITTEN CONSENT OF DONGGUAN TIANDU ELECTRONICS CO., LTD	DESCRIPTIONS OF REVISION		APPD.
8					WITHIN 1.5mm : ±0.1mm					
7	STEEL BALL	STEEL	1	NATURAL	OVER 1.5mm : ±0.2mm					
6	SPRING	STEEL WIRE	1	NATURAL						
5	CONTACT CLIP	PBS STRIP	2	Ag PLATED						
4	TERMINAL	BRASS STRIP	6	Ag PLATED OVER Ni PLATED	TITLE : VERTICAL SLIDE SWITCH		UNIT : mm	DRWG NO.: CMTDDZ-T2-232301-00		
3	BASE	PHENOLIC RESIN	1	NATURAL	MODEL: T2-232301-G		SCALE: 3:1	DWN.		
2	FRAME	STEEL STRIP	1	Ni PLATED	东莞市田都电子有限公司 DONGGUAN TIANDU ELECTRONICS CO.,LTD			CHK'D		
1	KNOB	POM	1	BLACK				APPD.		